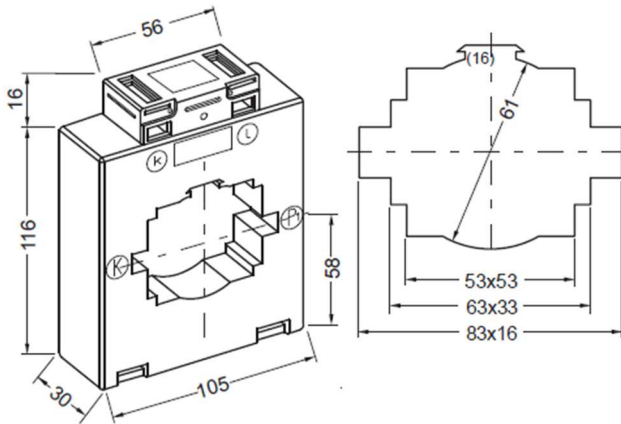


WINDOW TYPE CURRENT TRANSFORMER

10A815.3



Round cable
Primary bus bar

Weight

61 mm
80 x 15 mm
2 x 60 x 10 mm
3 x 50 x 10 mm
350 - 500 g

I_{sr}	Cl.	PRIMARY RATED CURRENT I_{pr}											A	
		400	500	600	750	800	1000	1250	1500	1600	2000	2500 *		
5A	1	2,5	2,5	2,5	2,5	2,5	2,5	2,5	2,5	2,5	2,5	5	10	VA
		5	5	5	5	5	5	5	5	5	5	10	15	
		7,5	10	10	10	10	10	10	10	10	10	15	20	
					15	15		15	15	15	15	20	30	
	0,5	2,5	2,5	2,5	2,5	2,5	2,5	2,5	2,5	2,5	2,5	2,5	5	
		5	5	5	5	5	5	5	5	5	5	5	10	
				10	10	10	10	10	10	10	10	10	15	
					15	15		15	15	15	15	15	20	
	0,5S		2,5	2,5	2,5	2,5	2,5	2,5	2,5	2,5	2,5	2,5	5	
				5	5	5	5	5	5	5	5	5	10	
					10	10	10	10	10	10	10	10	15	
						15		15	15	15	15	15	20	
	0,2				2,5	2,5	2,5	2,5	2,5	2,5	2,5	2,5	5	
						5	5	5	5	5	5	5	10	
							10	10	10	10	10	10	15	
										2,5	2,5	2,5	5	
	0,2S									5	5	5	10	
1 A	1	2,5	2,5	2,5	2,5	2,5	2,5	2,5	2,5	2,5	5		VA	
		5	5	5	5	5	5	5	5	5	5	10		
		7,5	10	10	10	10	10	10	10	10	10	15		
									15	15	15	20		
	0,5	2,5	2,5	2,5	2,5	2,5	2,5	2,5	2,5	2,5	2,5	2,5		
		5	5	5	5	5	5	5	5	5	5	5		
				10	10	10	10	10	10	10	10	10		
									15	15	15	15		
	0,5S		2,5	2,5	2,5	2,5	2,5	2,5	2,5	2,5	2,5	2,5		
				5	5	5	5	5	5	5	5	5		
							10	10	10	10	10	10		
									15	15	15	15		
	0,2				2,5	2,5	2,5	2,5	2,5	2,5	2,5	2,5		
							5	5	5	5	5	5		
								10	10	10	10	10		
										2,5	2,5	2,5		
	0,2S									5	5	5		

* I_{cth} : 1,0 I_{pr} / 1,2 I_{pr} upon request

ACCESSORIES (INCLUDED IN THE SCOPE OF SUPPLY):

1 pc.	Primary bus bar fixing device (Type 16),
2 pcs.	Threaded pins M5 x 55
2 pcs.	Secondary terminal cover (yellow sliders)
2 pcs.	Mounting feet

OPTINONAL ACCESSORIES

- Snap-on mounting brackets for the installation on DIN rail EN 50022-35
- Primary bus bar quick fastening device (Type 16-40)
- Copper bus bars in different dimensions
- Insulating caps for the primary fixing threaded pins

GENERAL TECHNICAL DATA:

Highest voltage for equipment U_m	0,72 kV
Rated power frequency withstand voltage (r.m.s.)	3 kV / 1 min
Frequency	50 / 60 Hz
Rated continuous thermal current I_{cth}	$1,2 \times I_{pr}$
Instrument security factor	FS5 - FS15
Rated thermal current I_{th}	$60 \times I_{pr}$ for 1 s
Rated dynamic current I_{dyn}	$2,5 \times I_{th}$
Ambient temperature	-40 ... 40°C
Temperature rise limit class	H
Normative standards	IEC 61869 Part 1 + 2 DIN EN 42600
Enclosure	Break-proof polyamide Difficult to inflame
Secondary connection	Nickel plated cross-head screws (2 Nm) Integrated secondary terminal cover

SPECIAL DESIGNS (UPON REQUEST)

- Other ratings, burdens or accuracies
- Secondary reconnection
- Casted with resin
- Highest voltage for equipment 1,2 kV