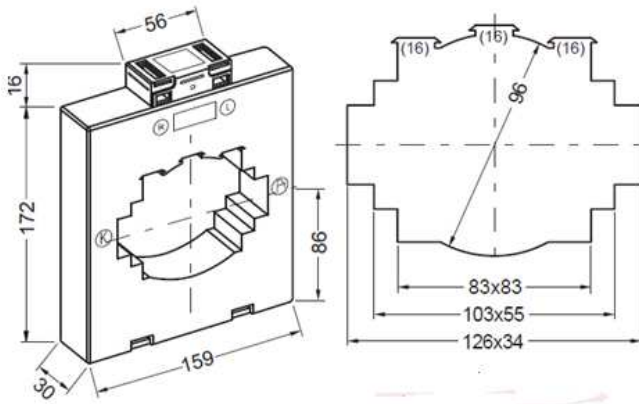


WINDOW TYPE CURRENT TRANSFORMER

16A1234.3



Round cable
Primary bus bar

Weight

96 mm
2 x 120 x 10 mm
3 x 100 x 10 mm
80 x 80 mm
700 - 1050 g

I _{sr}	Cl.	PRIMARY RATED CURRENT I _{pr}												A		
		400	500	600	750	800	1000	1250	1500	1600	2000	2500	3000		4000	
5A	1	2,5	5	5	5	5	5	5	10	5	5	10	10	10	VA	
		5	10	10	10	10	10	10	15	10	10	15	15	15		
				15	15	15	15	15	20	15	15	30	30	30		
					20	20	30	20		30	30		45	45		
	0,5	2,5	2,5	2,5	2,5	2,5	5	5	5	5	5	5	10	10		
			5	5	5	5	10	10	10	10	10	10	15	15		
					10	10	15	15	15	15	15	15	30	30		
					15	15	30	20	20	30	30	30	45	45		
	0,5S			2,5	2,5	2,5	5	5	5	5	5	5	10	5		
					5	5	10	10	10	10	10	10	15	10		
							15	15	15	15	15	15	30	15		
								20	20	20			45	45		
	0,2				2,5	2,5	2,5	2,5	2,5	2,5	2,5	2,5	10	5		
						5	5	5	5	5	5	5	15	10		
							10	10	10	10	10	10	30	15		
								15				15	15	45		45
	0,2S									2,5	2,5	2,5	2,5	5		5
											5	5	5	10		10
												10	15	15		
												15		30		
1 A	1	5	5	5	5	5	5	5	5	5	5	10	10	10	VA	
		10	10	10	10	10	10	10	10	10	10	10	15	15		15
			15	15	15	15	15	15	15	15	15	15	30	30		30
				20	20	20	30	20	20	30	30		45	45		
	0,5	2,5	2,5	2,5	2,5	2,5	5	5	5	5	5	10	10	10		
		5	5	5	5	5	10	10	10	10	10	15	15	15		
				10	10	10	15	15	15	15	15	30	30	30		
					15	15	30	20	20	30	30		45	45		
	0,5S		2,5	2,5	2,5	2,5	2,5	5	5	5	5	10	10	10		
				5	5	5	5	10	10	10	10	10	15	15		15
						10	10	15	15	15	15	30	30	30		
							15		20	20			45	45		
	0,2				2,5	2,5	2,5	5	5	5	5	5	10	10		
						5	5		10	10	10	10	15	15		
											15	15	30	30		
													45	45		
	0,2S											5	5	10		
													10	15		15
												15	15	30		
														45		

ACCESSORIES (INCLUDED IN THE SCOPE OF SUPPLY):

2 pcs.	Primary bus bar fixing device (Type 16),
4 pcs.	Threaded pins M5 x 75
2 pcs.	Secondary terminal cover (yellow sliders)
2 pcs.	Mounting feet

OPTIONAL ACCESSORIES

- Snap-on mounting brackets for the installation on DIN rail EN 50022-35
- Primary bus bar quick fastening device (Type 16-65)
- Copper bus bars in different dimensions
- Insulating caps for the primary fixing threaded pins

GENERAL TECHNICAL DATA:

Highest voltage for equipment U_m	0,72 kV
Rated power frequency withstand voltage (r.m.s.)	3 kV / 1 min
Frequency	50 / 60 Hz
Rated continuous thermal current I_{cth}	$1,2 \times I_{pr}$
Instrument security factor	FS5 - FS15
Rated thermal current I_{th}	$60 \times I_{pr}$ for 1 s
Rated dynamic current I_{dyn}	$2,5 \times I_{th}$
Ambient temperature	-40 ... 40°C
Temperature rise limit class	H
Normative standards	IEC 61869 Part 1 + 2 DIN EN 42600
Enclosure	Break-proof polyamide Difficult to inflame
Secondary connection	Nickel plated cross-head screws (2 Nm) Integrated secondary terminal cover

SPECIAL DESIGNS (UPON REQUEST)

- Other ratings, burdens or accuracies
- Secondary reconnection
- Casted with resin
- Highest voltage for equipment 1,2 kV