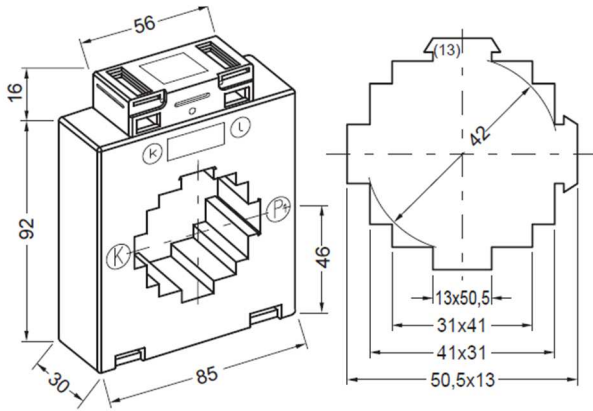


WINDOW OR TUBE TYPE CURRENT TRANSFORMER

8A512.3



Round cable
Primary bus bar

Weight

42 mm
50 x 12 mm
2 x 40 x 10 mm
320 - 500 g

I _{sr}	Cl.	PRIMARY RATED CURRENT I _{pr}												A				
		150	200	250	300	400	500	600	750	800	1000	1250	1500					
5A	1	2,5	2,5	2,5	2,5	2,5	5	5	5	5	5	5	5		VA			
		3,75	5	5	5	5	10	10	10	10	10	10	10					
			7,5	7,5	10	10	15	15	15	15	15	15	15	15				
				10		15	20	20	20	20	30	30	30	30				
	0,5	1,25	2,5	2,5	2,5	2,5	2,5	5	5	5	5	5	5	5				
				5	5	5	5	10	10	10	10	10	10	10				
					7,5	10	10	15	15	20	20	20	15	15				
						15	15	20	20	30	30	30	20	20				
	0,5S			2,5	2,5	2,5	2,5	5	5	5	5	5	5	5				
					5	5	5	10	10	10	10	10	10	10				
						10	10	15	20	20	20	15	15	15				
							15					30	20	20				
	0,2					2,5	2,5	2,5	2,5	2,5	5	5	5	5				
							5	5	5	5	10	10	10	10				
								10	10	10	10	15	15	15				
											20	30		20				
	0,2S									2,5	2,5	5	5	5				
										5	5	10	10	10				
											10	15						
	1 A	1	2,5	2,5	2,5	2,5	2,5	2,5	2,5	5	5	5	5	5			VA	
				5	5	5	5	5	5	5	10	10	10	10		10		
					7,5	10	10	10	10	10	15	15	15	15		15		
						15	20	20	20	20	30	30	30	30		30		
0,5		1,25	2,5	2,5	2,5	2,5	2,5	2,5	5	5	5	5	5	5				
				3,75	5	5	5	5	10	10	10	10	10	10				
					7,5	10	10	10	10	20	20	15	15	15				
						15	15	20		30	30	20	30					
0,5S					2,5	2,5	2,5	2,5	5	5	5	5	5	5				
						5	5	5	10	10	10	10	10	10				
							10	10	20	20	20	20	15	15				
								15					20	30				
0,2						2,5	2,5	2,5	2,5	2,5	2,5	2,5	5	5				
							5	5	5	5	5	5	10	10				
								10	10	10	10	10	15	15				
										20	20			20				
0,2S										2,5	2,5	2,5	5	5				
										5	5	5	10	10				
											10							

ACCESSORIES (INCLUDED IN THE SCOPE OF SUPPLY):

1 pc.	Primary bus bar fixing device (Type 13),
2 pcs.	Threaded pins M5 x 35
2 pcs.	Secondary terminal cover (yellow sliders)
2 pcs.	Mounting feet

OPTIONAL ACCESSORIES

- Snap-on mounting brackets for the installation on DIN rail EN 50022-35
- Primary bus bar quick fastening device (Type 13-40 or 13-65)
- Copper bus bars in different dimensions
- Insulating caps for the primary fixing threaded pins
- Copper tube $d_a = 42$ mm, $d_i = 14,2$ mm, $L = 32$ mm (other lengths upon request) for the use as a tube type current transformer
- Protective cover to increase the flash-over and creepage distances if used as a tube type current transformer

GENERAL TECHNICAL DATA:

Highest voltage for equipment U_m	0,72 kV
Rated power frequency withstand voltage (r.m.s.)	3 kV / 1 min
Frequency	50 / 60 Hz
Rated continuous thermal current I_{cth}	$1,2 \times I_{pr}$
Instrument security factor	FS5 - FS15
Rated thermal current I_{th}	$60 \times I_{pr}$ for 1 s
Rated dynamic current I_{dyn}	$2,5 \times I_{th}$
Ambient temperature	-40 ... 40°C
Temperature rise limit class	H
Normative standards	IEC 61869 Part 1 + 2 DIN EN 42600 DIN EN 50274
Enclosure	Break-proof polyamide Difficult to inflame
Secondary connection	Nickel plated cross-head screws (2 Nm) Integrated secondary terminal cover

SPECIAL DESIGNS (UPON REQUEST)

- Other ratings, burdens or accuracies
- Secondary reconnection
- Casted with resin
- Highest voltage for equipment 1,2 kV