

# B - Line

## Technical Data



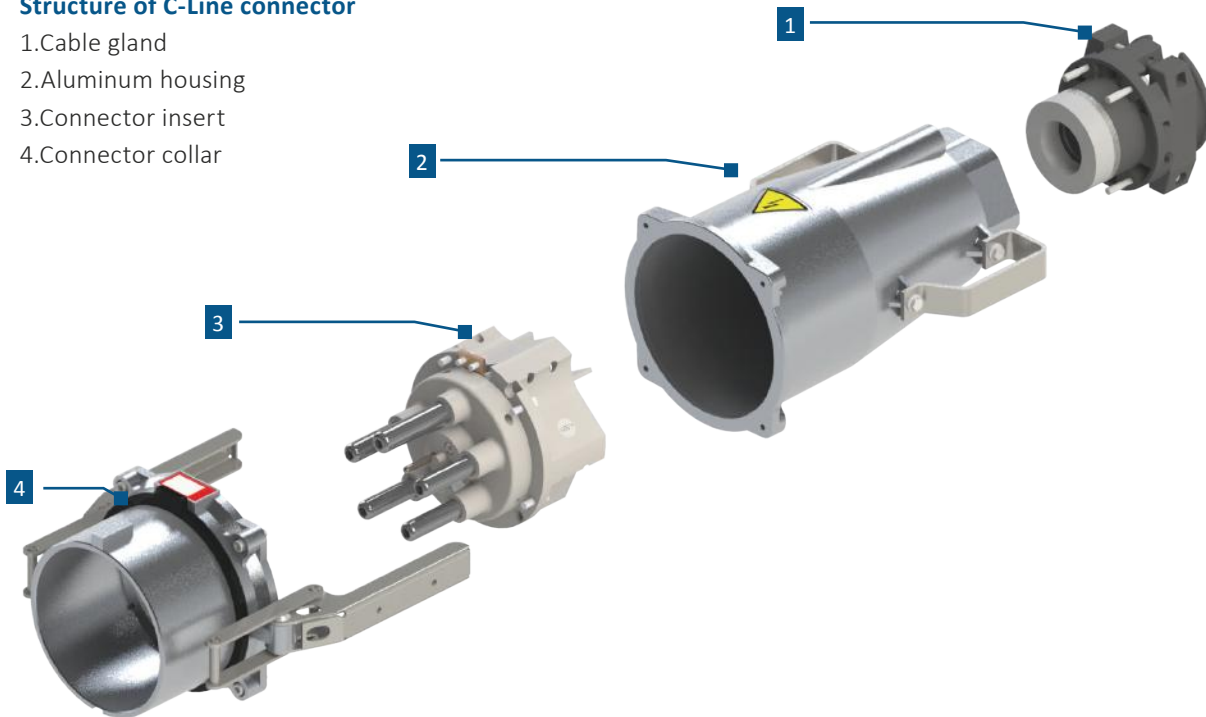
Technical Data	Unit	B - Line		
Nominal current	A	250	315	400
Rated current	A	315	380	450
Rated voltage	V	1'000		
Rated frequency	Hz	50 / 60		
Withstand voltage (1 Min / 50 Hz)	V	4'000		
Protection grade		IP 67		
Shock resistance		IK 10		
Ambient temperature	°C	-40 / +100		
Insulation resistance (Phase-phase and phase-earth)	MOhm	> 500		
Comparative tracking index of the insert	CTI	> 600		
Terminal cross-section (EN 60228 Class 5)	mm <sup>2</sup>	70 - 240		
Max. cross section pilot cable, conductor (EN60228 Class 5)	mm <sup>2</sup>	4		
Diameter of cable - separat pilot cable	mm	34 - 66 until 80 on request		
Diamter of cable	mm	8 -15		

Technical modifications reserved

# Structure

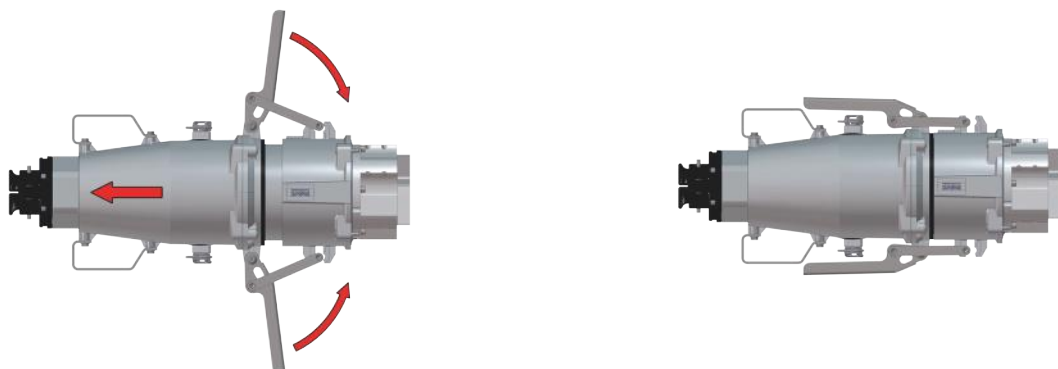
## Structure of C-Line connector

- 1.Cable gland
- 2.Aluminum housing
- 3.Connector insert
- 4.Connector collar

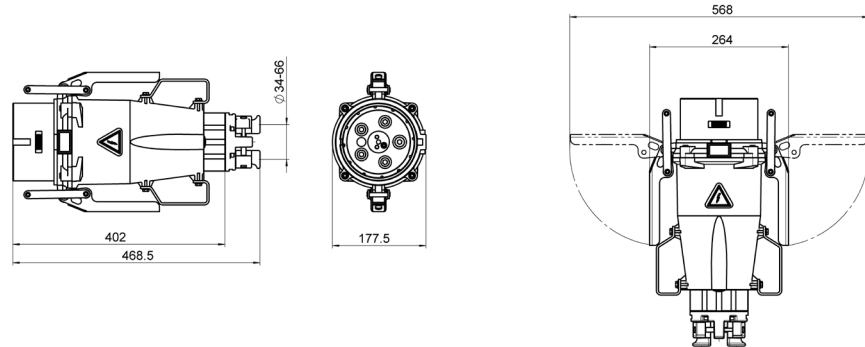


## Locking system

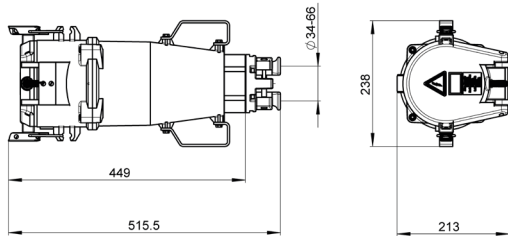
Mechanically easy designed locking system, which reduces the force required during plugging and pulling.



# MC



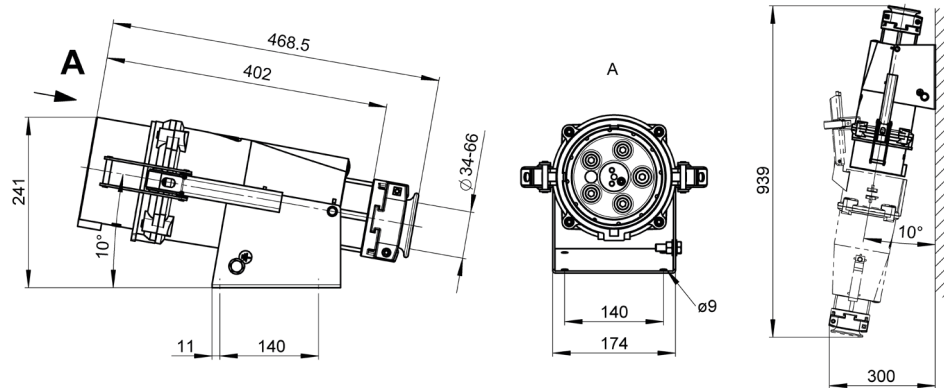
Current	Number of Poles	Voltage	Type designation	Article No.
250A	4 (3L+PEN)	230V	MC-S4/250 230V-9h	11440
		400V	MC-S4/250 400V-6h	11441
		500V	MC-S4/250 500V-7h	11442
		690V	MC-S4/250 690V-5h	11443
		1000V	MC-S4/250 1000V-1h	11444
	5 (3L+N+PE)	230V	MC-S5/250 230V-9h	11445
		400V	MC-S5/250 400V-6h	11446
		500V	MC-S5/250 500V-7h	11447
		690V	MC-S5/250 690V-5h	11448
		1000V	MC-S5/250 1000V-1h	11449
315 A	4 (3L+PEN)	230V	MC-S4/315 230V-9h	22900
		400V	MC-S4/315 400V-6h	22901
		500V	MC-S4/315 500V-7h	22902
		690V	MC-S4/315 690V-5h	22903
		1000V	MC-S4/315 1000V-1h	22904
	5 (3L+N+PE)	230V	MC-S5/315 230V-9h	22905
		400V	MC-S5/315 400V-6h	22906
		500V	MC-S5/315 500V-7h	22907
		690V	MC-S5/315 690V-5h	22908
		1000V	MC-S5/315 1000V-1h	22909
400 A	4 (3L+PEN)	230V	MC-S4/400 230V-9h	11450
		400V	MC-S4/400 400V-6h	11451
		500V	MC-S4/400 500V-7h	11452
		690V	MC-S4/400 690V-5h	11453
		1000V	MC-S4/400 1000V-1h	11454
	5 (3L+N+PE)	230V	MC-S5/400 230V-9h	11455
		400V	MC-S5/400 400V-6h	11456
		500V	MC-S5/400 500V-7h	11457
		690V	MC-S5/400 690V-5h	11458
		1000V	MC-S5/400 1000V-1h	11459



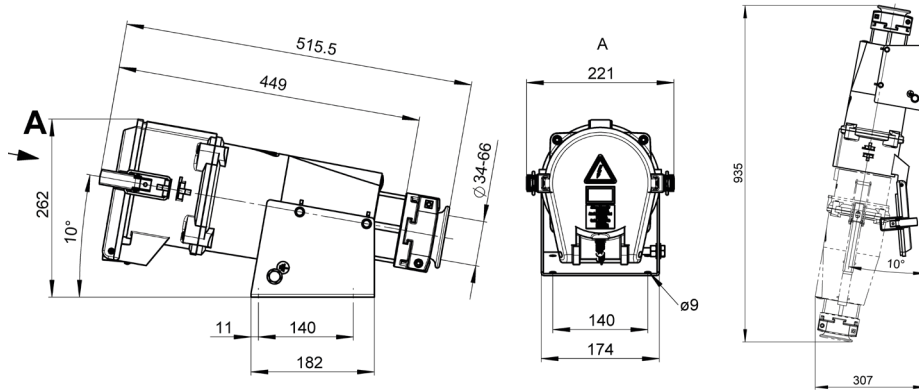
Current	Number of Poles	Voltage	Type designation	Article No.
250A	4 (3L+PEN)	230V	FC-S4/250 230V-9h	11650
		400V	FC-S4/250 400V-6h	11651
		500V	FC-S4/250 500V-7h	11652
		690V	FC-S4/250 690V-5h	11653
		1000V	FC-S4/250 1000V-1h	11654
	5 (3L+N+PE)	230V	FC-S5/250 230V-9h	11655
		400V	FC-S5/250 400V-6h	11656
		500V	FC-S5/250 500V-7h	11657
		690V	FC-S5/250 690V-5h	11658
		1000V	FC-S5/250 1000V-1h	11659
315 A	4 (3L+PEN)	230V	FC-S4/315 230V-9h	22890
		400V	FC-S4/315 400V-6h	22891
		500V	FC-S4/315 500V-7h	22892
		690V	FC-S4/315 690V-5h	22893
		1000V	FC-S4/315 1000V-1h	22894
	5 (3L+N+PE)	230V	FC-S5/315 230V-9h	22895
		400V	FC-S5/315 400V-6h	22896
		500V	FC-S5/315 500V-7h	22897
		690V	FC-S5/315 690V-5h	22898
		1000V	FC-S5/315 1000V-1h	22899
400 A	4 (3L+PEN)	230V	FC-S4/400 230V-9h	11660
		400V	FC-S4/400 400V-6h	11661
		500V	FC-S4/400 500V-7h	11662
		690V	FC-S4/400 690V-5h	11663
		1000V	FC-S4/400 1000V-1h	11664
	5 (3L+N+PE)	230V	FC-S5/400 230V-9h	11665
		400V	FC-S5/400 400V-6h	11666
		500V	FC-S5/400 500V-7h	11667
		690V	FC-S5/400 690V-5h	11668
		1000V	FC-S5/400 1000V-1h	11669



# MCW



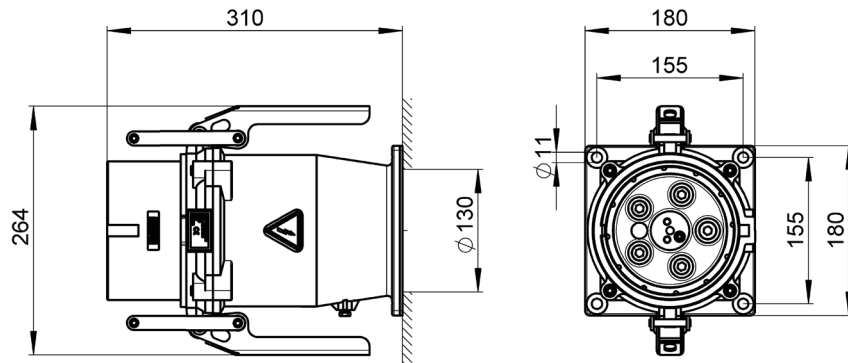
Current	Number of Poles	Voltage	Type designation	Article No.
250A	4 (3L+PEN)	230V	MCW-S4/250 230V-9h	11710
		400V	MCW-S4/250 400V-6h	11711
		500V	MCW-S4/250 500V-7h	11712
		690V	MCW-S4/250 690V-5h	11713
		1000V	MCW-S4/250 1000V-1h	11714
	5 (3L+N+PE)	230V	MCW-S5/250 230V-9h	11715
		400V	MCW-S5/250 400V-6h	11716
		500V	MCW-S5/250 500V-7h	11717
		690V	MCW-S5/250 690V-5h	11718
		1000V	MCW-S5/250 1000V-1h	11719
315 A	4 (3L+PEN)	230V	MCW-S4/315 230V-9h	22910
		400V	MCW-S4/315 400V-6h	22911
		500V	MCW-S4/315 500V-7h	22912
		690V	MCW-S4/315 690V-5h	22913
		1000V	MCW-S4/315 1000V-1h	22914
	5 (3L+N+PE)	230V	MCW-S5/315 230V-9h	22915
		400V	MCW-S5/315 400V-6h	22916
		500V	MCW-S5/315 500V-7h	22917
		690V	MCW-S5/315 690V-5h	22918
		1000V	MCW-S5/315 1000V-1h	22919
400 A	4 (3L+PEN)	230V	MCW-S4/400 230V-9h	11720
		400V	MCW-S4/400 400V-6h	11721
		500V	MCW-S4/400 500V-7h	11722
		690V	MCW-S4/400 690V-5h	11723
		1000V	MCW-S4/400 1000V-1h	11724
	5 (3L+N+PE)	230V	MCW-S5/400 230V-9h	11725
		400V	MCW-S5/400 400V-6h	11726
		500V	MCW-S5/400 500V-7h	11727
		690V	MCW-S5/400 690V-5h	11728
		1000V	MCW-S5/400 1000V-1h	11729



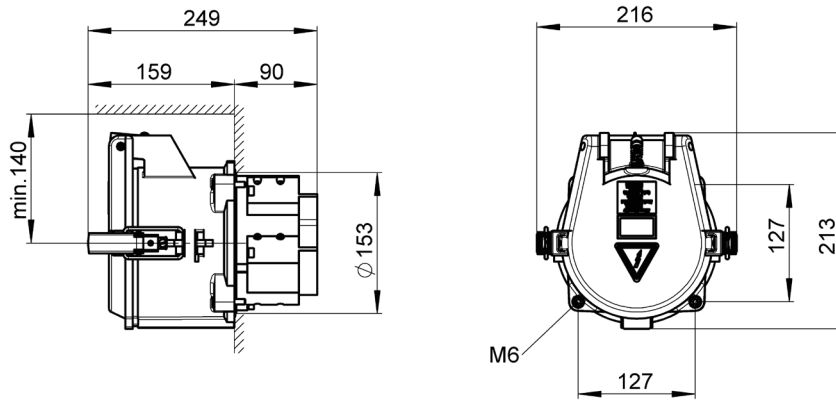
Current	Number of Poles	Voltage	Type designation	Article No.
250A	4 (3L+PEN)	230V	FCW-S4/250 230V-9h	11680
		400V	FCW-S4/250 400V-6h	11681
		500V	FCW-S4/250 500V-7h	11682
		690V	FCW-S4/250 690V-5h	11683
		1000V	FCW-S4/250 1000V-1h	11684
	5 (3L+N+PE)	230V	FCW-S5/250 230V-9h	11685
		400V	FCW-S5/250 400V-6h	11686
		500V	FCW-S5/250 500V-7h	11687
		690V	FCW-S5/250 690V-5h	11688
		1000V	FCW-S5/250 1000V-1h	11689
315 A	4 (3L+PEN)	230V	FCW-S4/315 230V-9h	22860
		400V	FCW-S4/315 400V-6h	22861
		500V	FCW-S4/315 500V-7h	22862
		690V	FCW-S4/315 690V-5h	22863
		1000V	FCW-S4/315 1000V-1h	22864
	5 (3L+N+PE)	230V	FCW-S5/315 230V-9h	22865
		400V	FCW-S5/315 400V-6h	22866
		500V	FCW-S5/315 500V-7h	22867
		690V	FCW-S5/315 690V-5h	22868
		1000V	FCW-S5/315 1000V-1h	22869
400 A	4 (3L+PEN)	230V	FCW-S4/400 230V-9h	11690
		400V	FCW-S4/400 400V-6h	11691
		500V	FCW-S4/400 500V-7h	11692
		690V	FCW-S4/400 690V-5h	11693
		1000V	FCW-S4/400 1000V-1h	11694
	5 (3L+N+PE)	230V	FCW-S5/400 230V-9h	11695
		400V	FCW-S5/400 400V-6h	11696
		500V	FCW-S5/400 500V-7h	11697
		690V	FCW-S5/400 690V-5h	11698
		1000V	FCW-S5/400 1000V-1h	11699



# MCP



Current	Number of Poles	Voltage	Type designation	Article No.
250A	4 (3L+PEN)	230V	MCP-S4/250 230V-9h	11740
		400V	MCP-S4/250 400V-6h	11741
		500V	MCP-S4/250 500V-7h	11742
		690V	MCP-S4/250 690V-5h	11743
		1000V	MCP-S4/250 1000V-1h	11744
	5 (3L+N+PE)	230V	MCP-S5/250 230V-9h	11745
		400V	MCP-S5/250 400V-6h	11746
		500V	MCP-S5/250 500V-7h	11747
		690V	MCP-S5/250 690V-5h	11748
		1000V	MCP-S5/250 1000V-1h	11749
315 A	4 (3L+PEN)	230V	MCP-S4/315 230V-9h	22920
		400V	MCP-S4/315 400V-6h	22921
		500V	MCP-S4/315 500V-7h	22922
		690V	MCP-S4/315 690V-5h	22923
		1000V	MCP-S4/315 1000V-1h	22924
	5 (3L+N+PE)	230V	MCP-S5/315 230V-9h	22925
		400V	MCP-S5/315 400V-6h	22926
		500V	MCP-S5/315 500V-7h	22927
		690V	MCP-S5/315 690V-5h	22928
		1000V	MCP-S5/315 1000V-1h	22929
400 A	4 (3L+PEN)	230V	MCP-S4/400 230V-9h	11750
		400V	MCP-S4/400 400V-6h	11751
		500V	MCP-S4/400 500V-7h	11752
		690V	MCP-S4/400 690V-5h	11753
		1000V	MCP-S4/400 1000V-1h	11754
	5 (3L+N+PE)	230V	MCP-S5/400 230V-9h	11755
		400V	MCP-S5/400 400V-6h	11756
		500V	MCP-S5/400 500V-7h	11757
		690V	MCP-S5/400 690V-5h	11758
		1000V	MCP-S5/400 1000V-1h	11759

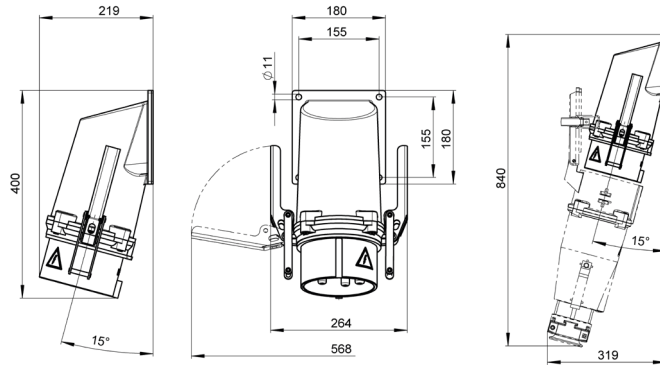


Current	Number of Poles	Voltage	Type designation	Article No.
250A	4 (3L+PEN)	230V	FCP-S4/250 230V-9h	11770
		400V	FCP-S4/250 400V-6h	11771
		500V	FCP-S4/250 500V-7h	11772
		690V	FCP-S4/250 690V-5h	11773
		1000V	FCP-S4/250 1000V-1h	11774
	5 (3L+N+PE)	230V	FCP-S5/250 230V-9h	11775
		400V	FCP-S5/250 400V-6h	11776
		500V	FCP-S5/250 500V-7h	11777
		690V	FCP-S5/250 690V-5h	11778
		1000V	FCP-S5/250 1000V-1h	11779
315 A	4 (3L+PEN)	230V	FCP-S4/315 230V-9h	22870
		400V	FCP-S4/315 400V-6h	22871
		500V	FCP-S4/315 500V-7h	22872
		690V	FCP-S4/315 690V-5h	22873
		1000V	FCP-S4/315 1000V-1h	22874
	5 (3L+N+PE)	230V	FCP-S5/315 230V-9h	22875
		400V	FCP-S5/315 400V-6h	22876
		500V	FCP-S5/315 500V-7h	22877
		690V	FCP-S5/315 690V-5h	22878
		1000V	FCP-S5/315 1000V-1h	22879
400 A	4 (3L+PEN)	230V	FCP-S4/400 230V-9h	11780
		400V	FCP-S4/400 400V-6h	11781
		500V	FCP-S4/400 500V-7h	11782
		690V	FCP-S4/400 690V-5h	11783
		1000V	FCP-S4/400 1000V-1h	11784
	5 (3L+N+PE)	230V	FCP-S5/400 230V-9h	11785
		400V	FCP-S5/400 400V-6h	11786
		500V	FCP-S5/400 500V-7h	11787
		690V	FCP-S5/400 690V-5h	11788
		1000V	FCP-S5/400 1000V-1h	11789



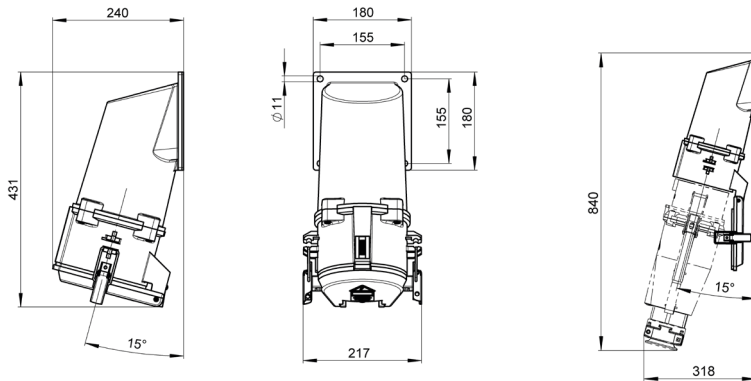


# MCPA



Current	Number of Poles	Voltage	Type designation	Article No.
250 A	4 (3L+PEN)	230V	MCPA-S4/250 230V-9h	20588
		400V	MCPA-S4/250 400V-6h	20589
		500V	MCPA-S4/250 500V-7h	20590
		690V	MCPA-S4/250 690V-5h	20591
		1000V	MCPA-S4/250 1000V-1h	20592
	5 (3L+N+PE)	230V	MCPA-S5/250 230V-9h	20593
		400V	MCPA-S5/250 400V-6h	20594
		500V	MCPA-S5/250 500V-7h	20595
		690V	MCPA-S5/250 690V-5h	20596
		1000V	MCPA-S5/250 1000V-1h	20597
315 A	4 (3L+PEN)	230V	MCPA-S4/315 230V-9h	22930
		400V	MCPA-S4/315 400V-6h	22931
		500V	MCPA-S4/315 500V-7h	22932
		690V	MCPA-S4/315 690V-5h	22933
		1000V	MCPA-S4/315 1000V-1h	22934
	5 (3L+N+PE)	230V	MCPA-S5/315 230V-9h	22935
		400V	MCPA-S5/315 400V-6h	22936
		500V	MCPA-S5/315 500V-7h	22937
		690V	MCPA-S5/315 690V-5h	22938
		1000V	MCPA-S5/315 1000V-1h	22939
400 A	4 (3L+PEN)	230V	MCPA-S4/400 230V-9h	20598
		400V	MCPA-S4/400 400V-6h	20599
		500V	MCPA-S4/400 500V-7h	20600
		690V	MCPA-S4/400 690V-5h	20601
		1000V	MCPA-S4/400 1000V-1h	20602
	5 (3L+N+PE)	230V	MCPA-S5/400 230V-9h	20603
		400V	MCPA-S5/400 400V-6h	20604
		500V	MCPA-S5/400 500V-7h	20605
		690V	MCPA-S5/400 690V-5h	20606
		1000V	MCPA-S5/400 1000V-1h	20607

# FCPA



Current	Number of Poles	Voltage	Type designation	Article No.
250A	4 (3L+PEN)	230V	FCPA-S4/250 230V-9h	20618
		400V	FCPA-S4/250 400V-6h	20619
		500V	FCPA-S4/250 500V-7h	20620
		690V	FCPA-S4/250 690V-5h	20621
		1000V	FCPA-S4/250 1000V-1h	20622
	5 (3L+N+PE)	230V	FCPA-S5/250 230V-9h	20623
		400V	FCPA-S5/250 400V-6h	20624
		500V	FCPA-S5/250 500V-7h	20625
		690V	FCPA-S5/250 690V-5h	20626
		1000V	FCPA-S5/250 1000V-1h	20627
315 A	4 (3L+PEN)	230V	FCPA-S4/315 230V-9h	22880
		400V	FCPA-S4/315 400V-6h	22881
		500V	FCPA-S4/315 500V-7h	22882
		690V	FCPA-S4/315 690V-5h	22883
		1000V	FCPA-S4/315 1000V-1h	22884
	5 (3L+N+PE)	230V	FCPA-S5/315 230V-9h	22885
		400V	FCPA-S5/315 400V-6h	22886
		500V	FCPA-S5/315 500V-7h	22887
		690V	FCPA-S5/315 690V-5h	22888
		1000V	FCPA-S5/315 1000V-1h	22889
400 A	4 (3L+PEN)	230V	FCPA-S4/400 230V-9h	20628
		400V	FCPA-S4/400 400V-6h	20629
		500V	FCPA-S4/400 500V-7h	20630
		690V	FCPA-S4/400 690V-5h	20631
		1000V	FCPA-S4/400 1000V-1h	20632
	5 (3L+N+PE)	230V	FCPA-S5/400 230V-9h	20633
		400V	FCPA-S5/400 400V-6h	20634
		500V	FCPA-S5/400 500V-7h	20635
		690V	FCPA-S5/400 690V-5h	20636
		1000V	FCPA-S5/400 1000V-1h	20637

