



CITEL



## DS60VGPV-1000G/51

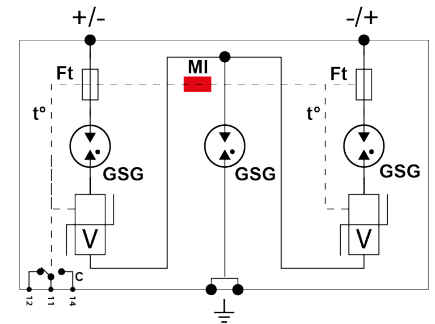
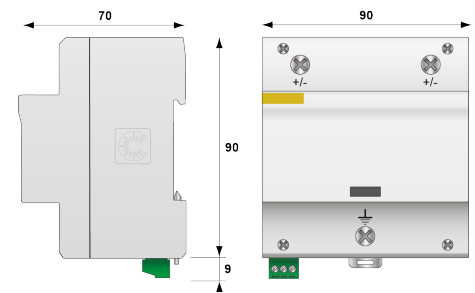
- Type 1+2 surge protector for photovoltaic
- VG technology
- 1000 Vdc
- No leakAge, no operating currents
- Improved life expectancy
- $I_{imp}$  : 12,5 kA/pole
- Common/Differential mode protection
- Remote signaling
- NF EN 61643-31 / NF EN 50539-11 compliance



Electrical Characteristics		
SPD type		1+2
Network		PV network 1000 Vdc
Nominal PV voltage	$U_{ocstc}$	1000 Vdc
Max. PV operating voltage	$U_{cpv}$	1200 Vdc
Residual Current <i>Leakage current to Ground</i>	$I_{pe}$	None
PV Permanent Operating current <i>Current consumption at <math>U_{cpv}</math></i>	$I_{cpv}$	None
Follow current	$I_f$	None
Nominal discharge current <i>15 x 8/20 <math>\mu</math>s impulses</i>	$I_n$	20 kA
Max. discharge current <i>max. withstand @ 8/20 <math>\mu</math>s by pole</i>	$I_{max}$	40 kA
Impulse current by pole <i>max. withstand 10/350<math>\mu</math>s by pole</i>	$I_{imp}$	12.5 kA
Total lightning current <i>max. total withstand @ 10/350<math>\mu</math>s</i>	$I_{total}$	25 kA
Current withstand short circuit PV	$I_{scpv}$	15000 A
Connection mode(s)		+/-/PE
Protection mode(s)		Common/Differential mode
Protection level +/- <i>@ <math>I_n</math> (8/20<math>\mu</math>s)</i>	$U_p$	4.9 kV
Protection level +/-PE (-/PE) <i>@ <math>I_n</math> (8/20<math>\mu</math>s)</i>	$U_p$	3.4 kV

Mechanical Characteristics		
Technology		VG
Connection to Network		screw terminals: 6-35mm <sup>2</sup>
Format		1-pole modular box
Mounting		Symmetrical rail 35 mm (EN60715)
Housing material		Thermoplastic UL94-V0
Operating temperature		-40/+85°C
Protection rating		IP20
Failsafe mode		Disconnection SPD of the PV line
Disconnection indicator		1 mechanical indicator
Remote signaling of disconnection		Output on changeover contact - 250 Vac/0.5 A (AC) - 30 Vdc/3A (DC)
Dimensions		See diagram

Disconnectors		
Thermal disconnector		Internal
Fuses		Without



- V: High-energy varistor
- GSG: Specific gas tube
- Ft: Thermal fuse
- C: Remote signaling contact
- t°: Thermal disconnection system
- MI: Disconnection indicator



Standards		
Standards compliance		EN 61643-31 / NF EN 50539-11
Certification		VDE / OVE / EAC
Part Number		3958