

Experts for your systems

Ex - Stainless Steel Enclosures



- Quality • Reliability • Delivery reliability
- Our knowledge for your application



Proviso

We reserve the right to make technical changes. Changes, errors, and literal errors do not justify any claim for damage compensation. For security components and systems, the relevant standards, as well as the relevant operating and assembly instructions have to be followed.

Quintex Product Catalogue Stainless Steel Enclosures

Version: V6.01

Controlin

Ex stainless steel boxes



Ex stainless steel boxes Assembly overview

General data

Type		Cable glands				Terminals (mm ²)						
		M16	M20	M25	M32	1,5	2,5	4	6	10	16	
QX-V1I	150x100x60	Side A+B	4	3	0	0	19	15	12	10	0	0
		Side C+D	2	1	0	0						
QX-V2I	150x150x80	Side A+B	8	3	3	2	19	15	12	10	8	6
		Side C+D	6	3	2	2						
QX-V3I	200x150x60	Side A+B	6	5	0	0	30	25	20	17	0	0
		Side C+D	3	3	0	0						
QX-V4I	200x200x80	Side A+B	12	5	4	3	30	25	20	17	13	10
		Side C+D	10	4	3	3						
QX-V5I	200x200x120	Side A+B	18	10	8	6	30	25	20	17	13	10
		Side C+D	15	8	6	6						
QX-V6I	200x200x160	Side A+B	24	15	12	6	30	25	20	17	13	10
		Side C+D	20	12	9	6						
QX-V7I	300x150x80	Side A+B	18	7	6	5	54	44	37	30	23	19
		Side C+D	6	3	2	2						
QX-V8I	300x200x80	Side A+B	18	7	6	5	54	44	37	30	23	19
		Side C+D	10	4	3	3						
QX-V9I	300x200x120	Side A+B	27	14	12	10	54	44	37	30	23	19
		Side C+D	15	8	6	6						
QX-V10I	300x200x200	Side A+B	54	35	24	15	54	44	37	30	23	19
		Side C+D	30	20	12	9						
QX-V11I	300x300x120	Side A+B	27	14	12	10	2x54	2x44	2x37	2x30	2x23	2x19
		Side C+D	27	14	12	10						
QX-V12I	300x300x160	Side A+B	36	21	18	10	2x54	2x44	2x37	2x30	2x23	2x19
		Side C+D	36	21	18	10						
QX-V13I	300x300x200	Side A+B	54	35	24	15	2x54	2x44	2x37	2x30	2x23	2x19
		Side C+D	54	35	24	15						
QX-V14I	380x380x160	Side A+B	48	30	24	14	2x73	2x59	2x50	2x41	2x31	2x25
		Side C+D	48	27	24	12						
QX-V15I	380x380x200	Side A+B	72	50	32	21	2x73	2x59	2x50	2x41	2x31	2x25
		Side C+D	72	45	32	18						
QX-V16I	400x150x80	Side A+B	26	10	9	7	78	63	53	44	33	27
		Side C+D	6	3	2	2						
QX-V17I	400x200x120	Side A+B	39	20	18	14	78	63	53	44	33	27
		Side C+D	15	8	6	6						
QX-V18I	400x200x160	Side A+B	52	30	27	14	78	63	53	44	33	27
		Side C+D	20	12	9	6						
QX-V19I	400x200x200	Side A+B	78	50	36	21	78	63	53	44	33	27
		Side C+D	30	20	12	9						
QX-V20I	400x300x160	Side A+B	52	30	27	14	2x78	2x63	2x53	2x44	2x33	2x27
		Side C+D	36	21	18	10						
QX-V21I	400x300x200	Side A+B	78	50	36	21	2x78	2x63	2x53	2x44	2x33	2x27
		Side C+D	54	35	24	15						
QX-V22I	500x300x160	Side A+B	68	39	33	18	2x102	2x82	2x69	2x57	2x43	2x35
		Side C+D	36	21	18	10						
QX-V23I	500x300x200	Side A+B	102	65	44	27	2x102	2x82	2x69	2x57	2x43	2x35
		Side C+D	54	35	24	15						

Ex stainless steel boxes



Assembly overview

General data

Type	Cable glands				Terminals (mm ²)						
	M16	M20	M25	M32	1,5	2,5	4	6	10	16	
QX-V24I 500x400x160	Side A+B	68	39	33	18	3x102	3x82	3x69	3x57	3x43	3x35
	Side C+D	48	30	24	14						
QX-V25I 500x400x200	Side A+B	102	65	44	27	3x102	3x82	3x69	3x57	3x43	3x35
	Side C+D	72	50	32	21						
QX-V26I 600x200x120	Side A+B	60	32	28	22	126	101	85	70	54	44
	Side C+D	15	8	6	6						
QX-V27I 600x200x160	Side A+B	80	48	42	22	126	101	85	70	54	44
	Side C+D	20	12	9	6						
QX-V28I 600x200x200	Side A+B	120	80	56	33	126	101	85	70	54	44
	Side C+D	30	20	12	9						
QX-V29I 600x400x200	Side A+B	120	80	56	33	3x126	3x101	3x85	3x70	3x54	3x44
	Side C+D	72	50	32	21						
QX-V30I 600x600x200	Side A+B	120	80	56	33	5x126	5x101	5x85	5x70	5x54	5x44
	Side C+D	114	75	52	33						

The max. amount of terminals depends on manufacturer.
Combinations and other sizes after technical clarification

Data of standard cable glands, brass nickel plated					
Type	Wrench size	Range (mm)	Type	Wrench size	Range (mm)
M12	16	3 – 6	M32	36	13 – 21
M16	20	4,5 – 9	M40	46	17 – 28
M20	24	7 – 13	M50	55	23 – 35
M25	29	10 – 17	M63	68	31 – 48

Specification for Ex area			
Marking according to 2014/34/EU		II 2 GD	
Type of protection		II 2G Ex eb IIC and II 2G Ex ib IIC II 2D Ex tb IIIC	
Ambient temperature °C Silicone gasket		Gas temperature class T°C	Dust temperature °C
MIN	MAX		
-60	+50	T6	85
-60	+55	T5	100
-60	+60	T4	120
Max. temperature range		-60..+120°C	
Ingress protection		IP 66	
Ex-Zone		1, 2, 21, 22	
Applicable at risk of mechanical exposure (Impact resistance)		high (7 Joule)	
Gas groups		IIA; IIB; IIC	
Certificates		ATEX, IECEx, EAC TC-RU, NEMA 4X	

Enclosure specification	
Enclosure material	1,2mm stainless steel 1.4404 (316L)
Surface	Stainless steel brushed Option: Stainless steel electro-polished
Lid fixing	Full removable lid with captive M6 stainless steel screws
Gasket	One piece of silicone
Earthing	Earthing bolt internal/external
Mounting	Mounting lugs or rivet nuts M6 from Backside

Options	
Mounting plate, zinc plated	MP-Vxxl xx = 1-30 (Size of enclosure)



- High chemical resistance
- International certificates available
- Self-assembly with terminals
- Suitable for all hygienic environments
- Robust construction
- Different surface finishes available

Description

Stainless steel enclosures have been proven themselves even in the harshest of environments.

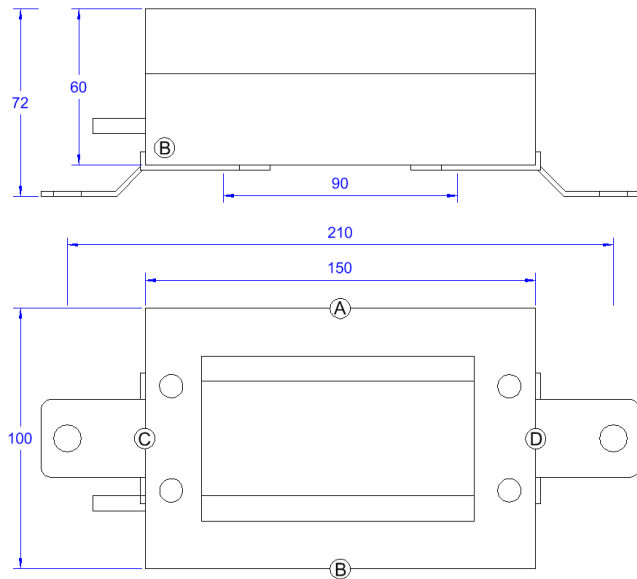
These robust enclosures can withstand harmful aggressive chemical and mechanical abuse.

The lid with integrated silicon gasket and high corrosion resistive stainless steel captive screws allows easy handling and reliability with a perfect weather seal.

The mounting lugs can be adjusted through 90° if required or alternatively use the 4no x M6 threaded bushes in the rear.

An optional mounting plate is available for ease of assembly.

M6 internal/external earth stud as standard.



Possible Application:

- Ex e / Ex i junction boxes
- Terminal boxes in hygienic environments

Technical Data

Material:	Brushed Stainless Steel 1.2mm, 1.4404 / 316L
Option:	electro-polished/painted
Dimension (mm):	150 x 100 x 60
Mounting dim. (mm):	210 / 2x10,5Ø
from Backside (mm):	90 / 2xM6
Power dissipation:	8,0 Watt @ +40°C
for dust Ex:	4,0 Watt @ +40°C
Ingress protection:	IP 66
Impact resistance:	7 Joule
Min. ambient temp.:	-60°C
Temperature class:	T6 @ +50°C T5 @ +55°C T4 @ +60°C
Weight:	0,86 kg

Certificates

ATEX, IECEX, EAC TC-RU, NEMA 4X

Marking

Empty enclosures:

Ex II 2G Ex eb IIC / Ex II 2D Ex tb IIIC

Terminal Boxes:

Ex II 2G Ex eb ia IIC/IIB/IIA T6/T5/T4

Ex II 2D Ex tb IIIC T85°C/T100°C/T120°C

Quantity of glands

Gland	M12	M16	M20
Side A / B	4	3	0
Side C / D	2	1	0

Terminals

mm²	1,5	2,5	4	6
horizontal rail	19	15	12	10



- High chemical resistance
- International certificates available
- Self-assembly with terminals
- Suitable for all hygienic environments
- Robust construction
- Different surface finishes available

Description

Stainless steel enclosures have been proven themselves even in the harshest of environments.

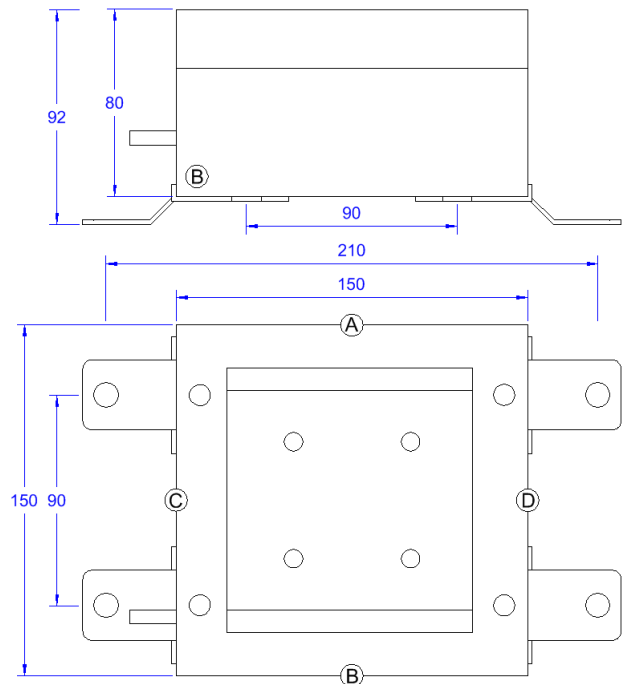
These robust enclosures can withstand harmful aggressive chemical and mechanical abuse.

The lid with integrated silicon gasket and high corrosion resistive stainless steel captive screws allows easy handling and reliability with a perfect weather seal.

The mounting lugs can be adjusted through 90° if required or alternatively use the 4no x M6 threaded bushes in the rear.

An optional mounting plate is available for ease of assembly.

M6 internal/external earth stud as standard.



Possible Application

- Ex e / Ex i junction boxes
- Terminal boxes in hygienic environments

Technical Data

Material:	Brushed Stainless Steel 1.2mm, 1.4404 / 316L
Option:	electro-polished/painted
Dimension (mm):	150 x 150 x 80
Mounting dim. (mm):	210 x 90 / 4x10,5Ø
from Backside (mm):	90 x 90 / 4xM6
Power dissipation:	10,0 Watt @ +40°C
for dust Ex:	5,0 Watt @ +40°C
Ingress protection:	IP 66
Impact resistance:	7 Joule
Min. ambient temp.:	-60°C
Temperature class:	T6 @ +50°C T5 @ +55°C T4 @ +60°C
Weight:	1,16 kg

Certificates

ATEX, IECEx, EAC TC-RU, NEMA 4X

Marking

Empty enclosures:

⊕ II 2G Ex eb IIC / ⊕ II 2D Ex tb IIIC

Terminal Boxes:

⊕ II 2G Ex eb ia IIC/IIB/IIA T6/T5/T4

⊕ II 2D Ex tb IIIC T85°C/T100°C/T120°C

Quantity of glands

Gland	M16	M20	M25
Side A / B	8	3	3
Side C / D	6	3	2

Terminals

mm ²	2,5	4	6	10
horizontal rail	15	12	10	8



- High chemical resistance
- International certificates available
- Self-assembly with terminals
- Suitable for all hygienic environments
- Robust construction
- Different surface finishes available

Description

Stainless steel enclosures have been proven themselves even in the harshest of environments.

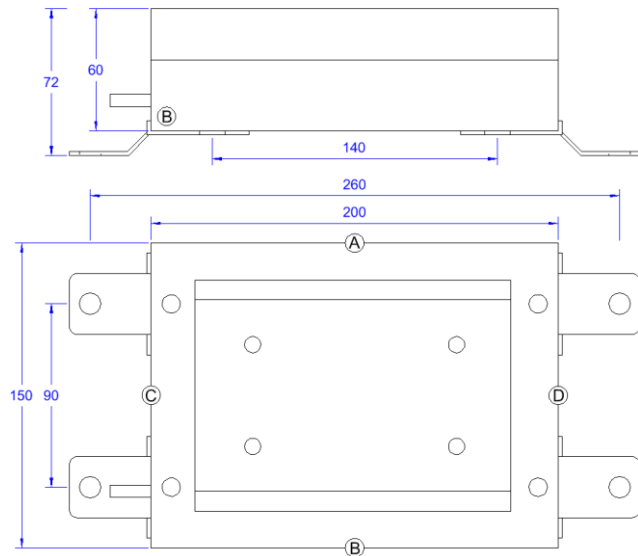
These robust enclosures can withstand harmful aggressive chemical and mechanical abuse.

The lid with integrated silicon gasket and high corrosion resistive stainless steel captive screws allows easy handling and reliability with a perfect weather seal.

The mounting lugs can be adjusted through 90° if required or alternatively use the 4no x M6 threaded bushes in the rear.

An optional mounting plate is available for ease of assembly.

M6 internal/external earth stud as standard.



Possible Application

- Ex e / Ex i junction boxes
- Terminal boxes in hygienic environments

Technical Data

Material:	Brushed Stainless Steel 1.2mm, 1.4404 / 316L
Option:	electro-polished/painted
Dimension (mm):	200 x 150 x 60
Mounting dim. (mm):	260 x 90 / 4x10,5Ø
from Backside (mm):	140 x 90 / 4xM6
Power dissipation:	11,0 Watt @ +40°C
for dust Ex:	5,5 Watt @ +40°C
Ingress protection:	IP 66
Impact resistance:	7 Joule
Min. ambient temp.:	-60°C
Temperature class:	T6 @ +50°C T5 @ +55°C T4 @ +60°C
Weight:	1,26 kg

Certificates

ATEX, IECEx, EAC TC-RU, NEMA 4X

Marking

Empty enclosures:

Ex II 2G Ex eb IIC / Ex II 2D Ex tb IIIC

Terminal Boxes:

Ex II 2G Ex eb ia IIC/IIB/IIA T6/T5/T4

Ex II 2D Ex tb IIIC T85°C/T100°C/T120°C

Quantity of glands

Gland	M16	M20	M25
Side A / B	6	5	0
Side C / D	3	3	0

Terminals

mm ²	2,5	4	6	10
horizontal rail	25	20	17	13



- High chemical resistance
- International certificates available
- Self-assembly with terminals
- Suitable for all hygienic environments
- Robust construction
- Different surface finishes available

Description

Stainless steel enclosures have been proven themselves even in the harshest of environments.

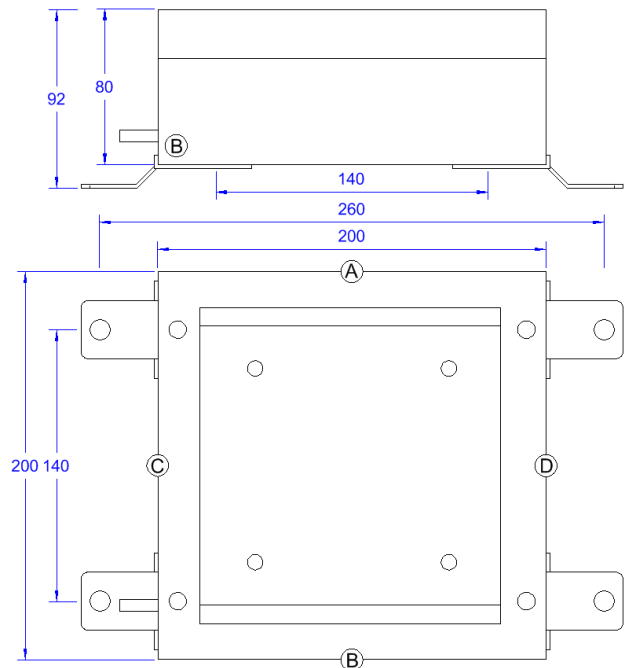
These robust enclosures can withstand harmful aggressive chemical and mechanical abuse.

The lid with integrated silicon gasket and high corrosion resistive stainless steel captive screws allows easy handling and reliability with a perfect weather seal.

The mounting lugs can be adjusted through 90° if required or alternatively use the 4no x M6 threaded bushes in the rear.

An optional mounting plate is available for ease of assembly.

M6 internal/external earth stud as standard.



Possible Application

- Ex e / Ex i junction boxes
- Terminal boxes in hygienic environments

Technical Data

Material:	Brushed Stainless Steel 1.2mm, 1.4404 / 316L
Option:	electro-polished/painted
Dimension (mm):	200 x 200 x 80
Mounting dim. (mm):	260 x 140 / 4x10,5Ø
from Backside (mm):	140 x 140 / 4xM6
Power dissipation:	15,0 Watt @ +40°C
for dust Ex:	7,5 Watt @ +40°C
Ingress protection:	IP 66
Impact resistance:	7 Joule
Min. ambient temp.:	-60°C
Temperature class:	T6 @ +50°C T5 @ +55°C T4 @ +60°C
Weight:	1,66 kg

Certificates

ATEX, IECEx, EAC TC-RU, NEMA 4X

Marking

Empty enclosures:

⊕ II 2G Ex eb IIC / ⊕ II 2D Ex tb IIIC

Terminal Boxes:

⊕ II 2G Ex eb ia IIC/IIB/IIA T6/T5/T4

⊕ II 2D Ex tb IIIC T85°C/T100°C/T120°C

Quantity of glands

Gland	M16	M20	M25
Side A / B	12	5	4
Side C / D	10	4	3

Terminals

mm ²	2,5	4	6	10
horizontal rail	25	20	17	13



- High chemical resistance
- International certificates available
- Self-assembly with terminals
- Suitable for all hygienic environments
- Robust construction
- Different surface finishes available

Description

Stainless steel enclosures have been proven themselves even in the harshest of environments.

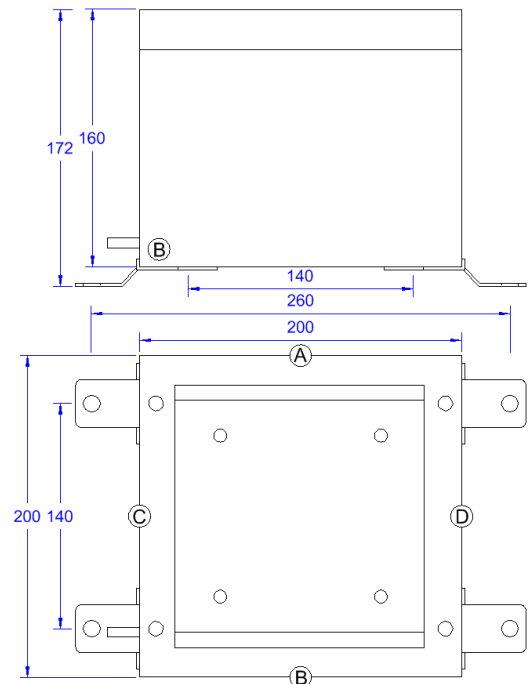
These robust enclosures can withstand harmful aggressive chemical and mechanical abuse.

The lid with integrated silicon gasket and high corrosion resistive stainless steel captive screws allows easy handling and reliability with a perfect weather seal.

The mounting lugs can be adjusted through 90° if required or alternatively use the 4no x M6 threaded bushes in the rear.

An optional mounting plate is available for ease of assembly.

M6 internal/external earth stud as standard.



Possible Application

- Ex e / Ex i junction boxes
- Terminal boxes in hygienic environments

Technical Data

Material:	Brushed Stainless Steel 1.2mm, 1.4404 / 316L
Option:	electro-polished/painted
Dimension (mm):	200 x 200 x 160
Mounting dim. (mm):	260 x 140 / 4x10,5Ø
from Backside (mm):	140 x 140 / 4xM6
Power dissipation:	23,0 Watt @ +40°C
for dust Ex:	11,5 Watt @ +40°C
Ingress protection:	IP 66
Impact resistance:	7 Joule
Min. ambient temp.:	-60°C
Temperature class:	T6 @ +50°C T5 @ +55°C T4 @ +60°C
Weight:	2,26 kg

Certificates

ATEX, IECEx, EAC TC-RU, NEMA 4X

Marking

Empty enclosures:

⊕ II 2G Ex eb IIC / ⊕ II 2D Ex tb IIIC

Terminal Boxes:

⊕ II 2G Ex eb ia IIC/IIB/IIA T6/T5/T4

⊕ II 2D Ex tb IIIC T85°C/T100°C/T120°C

Quantity of glands

Gland	M16	M20	M25
Side A / B	24	15	12
Side C / D	20	12	9

Terminals

mm ²	2,5	4	6	10
horizontal rail	25	20	17	13



- High chemical resistance
- International certificates available
- Self-assembly with terminals
- Suitable for all hygienic environments
- Robust construction
- Different surface finishes available

Description

Stainless steel enclosures have been proven themselves even in the harshest of environments.

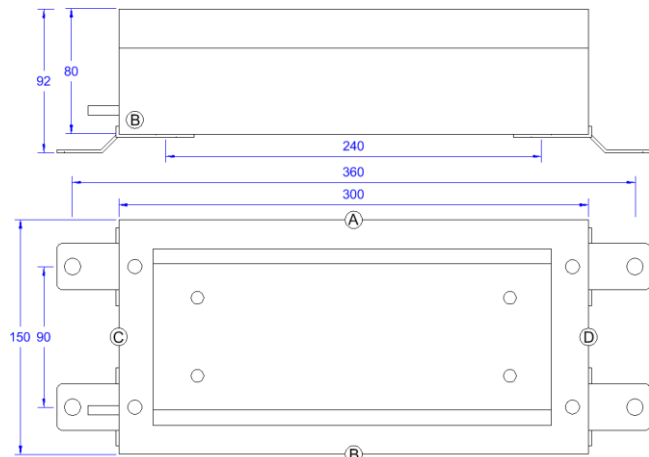
These robust enclosures can withstand harmful aggressive chemical and mechanical abuse.

The lid with integrated silicon gasket and high corrosion resistive stainless steel captive screws allows easy handling and reliability with a perfect weather seal.

The mounting lugs can be adjusted through 90° if required or alternatively use the 4no x M6 threaded bushes in the rear.

An optional mounting plate is available for ease of assembly.

M6 internal/external earth stud as standard.



Possible Application

- Ex e / Ex i junction boxes
- Terminal boxes in hygienic environments

Technical Data

Material:	Brushed Stainless Steel 1.2mm, 1.4404 / 316L
Option:	electro-polished/painted
Dimension (mm):	300 x 150 x 80
Mounting dim. (mm):	360 x 90 / 4x10,5Ø
from Backside (mm):	240 x 90 / 4xM6
Power dissipation:	18,0 Watt @ +40°C
for dust Ex:	9,0 Watt @ +40°C
Ingress protection:	IP 66
Impact resistance:	7 Joule
Min. ambient temp.:	-60°C
Temperature class:	T6 @ +50°C T5 @ +55°C T4 @ +60°C
Weight:	1,86 kg

Certificates

ATEX, IECEX, EAC TC-RU, NEMA 4X

Marking

Empty enclosures:

Ex II 2G Ex eb IIC / Ex II 2D Ex tb IIIC

Terminal Boxes:

Ex II 2G Ex eb ia IIC/IIB/IIA T6/T5/T4

Ex II 2D Ex tb IIIC T85°C/T100°C/T120°C

Quantity of glands

Gland	M16	M20	M25
Side A / B	18	7	6
Side C / D	6	3	2

Terminals

mm²	2,5	4	6	10
horizontal rail	44	37	30	23



- High chemical resistance
- International certificates available
- Self-assembly with terminals
- Suitable for all hygienic environments
- Robust construction
- Different surface finishes available

Description

Stainless steel enclosures have been proven themselves even in the harshest of environments.

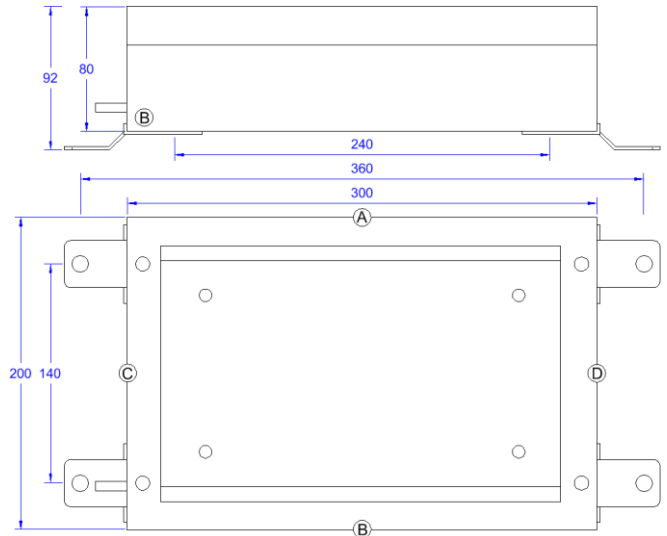
These robust enclosures can withstand harmful aggressive chemical and mechanical abuse.

The lid with integrated silicon gasket and high corrosion resistive stainless steel captive screws allows easy handling and reliability with a perfect weather seal.

The mounting lugs can be adjusted through 90° if required or alternatively use the 4no x M6 threaded bushes in the rear.

An optional mounting plate is available for ease of assembly.

M6 internal/external earth stud as standard.



Possible Application

- Ex e / Ex i junction boxes
- Terminal boxes in hygienic environments

Technical Data

Material:	Brushed Stainless Steel 1.2mm, 1.4404 / 316L
Option:	electro-polished/painted
Dimension (mm):	300 x 200 x 80
Mounting dim. (mm):	360 x 140 / 4x10,5Ø
from Backside (mm):	240 x 140 / 4xM6
Power dissipation:	22,0 Watt @ +40°C
for dust Ex:	11,0 Watt @ +40°C
Ingress protection:	IP 66
Impact resistance:	7 Joule
Min. ambient temp.:	-60°C
Temperature class:	T6 @ +50°C T5 @ +55°C T4 @ +60°C
Weight:	2,16 kg

Certificates

ATEX, IECEx, EAC TC-RU, NEMA 4X

Marking

Empty enclosures:

⊕ II 2G Ex eb IIC / ⊕ II 2D Ex tb IIIC

Terminal Boxes:

⊕ II 2G Ex eb ia IIC/IIB/IIA T6/T5/T4

⊕ II 2D Ex tb IIIC T85°C/T100°C/T120°C

Quantity of glands

Gland	M16	M20	M25
Side A / B	18	7	6
Side C / D	10	4	3

Terminals

mm ²	2,5	4	6	10
horizontal rail	44	37	30	23



- High chemical resistance
- International certificates available
- Self-assembly with terminals
- Suitable for all hygienic environments
- Robust construction
- Different surface finishes available

Description

Stainless steel enclosures have been proven themselves even in the harshest of environments.

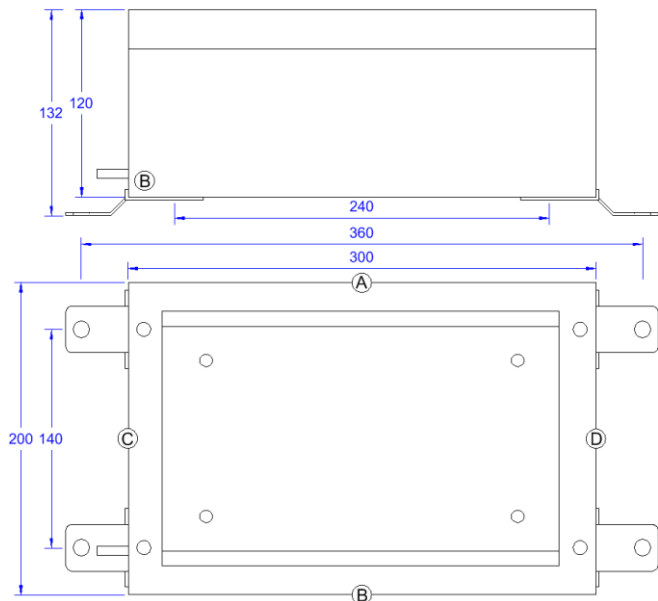
These robust enclosures can withstand harmful aggressive chemical and mechanical abuse.

The lid with integrated silicon gasket and high corrosion resistive stainless steel captive screws allows easy handling and reliability with a perfect weather seal.

The mounting lugs can be adjusted through 90° if required or alternatively use the 4no x M6 threaded bushes in the rear.

An optional mounting plate is available for ease of assembly.

M6 internal/external earth stud as standard.



Possible Application

- Ex e / Ex i junction boxes
- Terminal boxes in hygienic environments

Technical Data

Material:	Brushed Stainless Steel 1.2mm, 1.4404 / 316L
Option:	electro-polished/painted
Dimension (mm):	300 x 200 x 120
Mounting dim. (mm):	360 x 140 / 4x10,5Ø
from Backside (mm):	240 x 140 / 4xM6
Power dissipation:	26,0 Watt @ +40°C
for dust Ex:	13,0 Watt @ +40°C
Ingress protection:	IP 66
Impact resistance:	7 Joule
Min. ambient temp.:	-60°C
Temperature class:	T6 @ +50°C T5 @ +55°C T4 @ +60°C
Weight:	2,56 kg

Certificates

ATEX, IECEX, EAC TC-RU, NEMA 4X

Marking

Empty enclosures:

Ex II 2G Ex eb IIC / Ex II 2D Ex tb IIIC

Terminal Boxes:

Ex II 2G Ex eb ia IIC/IIB/IIA T6/T5/T4

Ex II 2D Ex tb IIIC T85°C/T100°C/T120°C

Quantity of glands

Gland	M16	M20	M25
Side A / B	27	14	12
Side C / D	15	8	6

Terminals

mm ²	2,5	4	6	10
horizontal rail	44	37	30	23



- High chemical resistance
- International certificates available
- Self-assembly with terminals
- Suitable for all hygienic environments
- Robust construction
- Different surface finishes available

Description

Stainless steel enclosures have been proven themselves even in the harshest of environments.

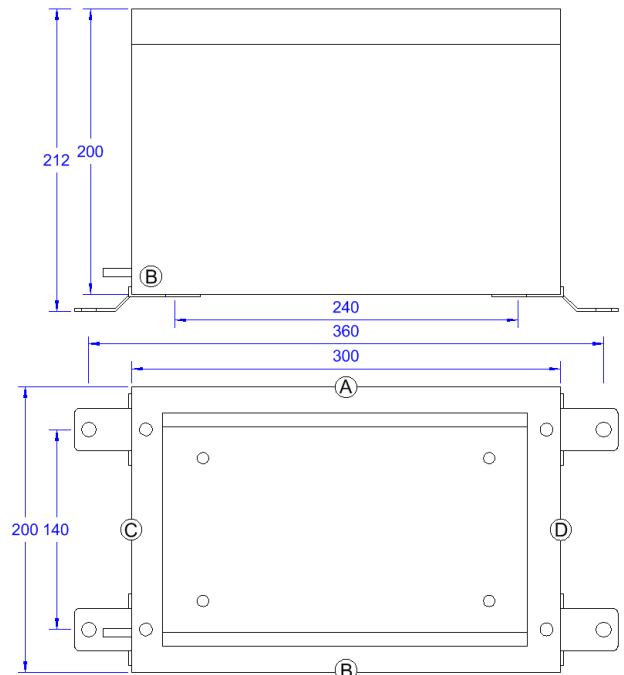
These robust enclosures can withstand harmful aggressive chemical and mechanical abuse.

The lid with integrated silicon gasket and high corrosion resistive stainless steel captive screws allows easy handling and reliability with a perfect weather seal.

The mounting lugs can be adjusted through 90° if required or alternatively use the 4no x M6 threaded bushes in the rear.

An optional mounting plate is available for ease of assembly.

M6 internal/external earth stud as standard.



Possible Application

- Ex e / Ex i junction boxes
- Terminal boxes in hygienic environments

Technical Data

Material:	Brushed Stainless Steel
Option:	1.2mm, 1.4404 / 316L electro-polished/painted
Dimension (mm):	300 x 200 x 200
Mounting dim. (mm):	360 x 140 / 4x10,5Ø
from Backside (mm):	240 x 140 / 4xM6
Power dissipation:	36,0 Watt @ +40°C
for dust Ex:	18,0 Watt @ +40°C
Ingress protection:	IP 66
Impact resistance:	7 Joule
Min. ambient temp.:	-60°C
Temperature class:	T6 @ +50°C T5 @ +55°C T4 @ +60°C
Weight:	3,36 kg

Certificates

ATEX, IECEx, EAC TC-RU, NEMA 4X

Marking

Empty enclosures:

⊕ II 2G Ex eb IIC / ⊕ II 2D Ex tb IIIC

Terminal Boxes:

⊕ II 2G Ex eb ia IIC/IIB/IIA T6/T5/T4

⊕ II 2D Ex tb IIIC T85°C/T100°C/T120°C

Quantity of glands

Gland	M16	M20	M25
Side A / B	54	35	24
Side C / D	30	20	12

Terminals

mm ²	2,5	4	6	10
horizontal rail	44	37	30	23



- High chemical resistance
- International certificates available
- Self-assembly with terminals
- Suitable for all hygienic environments
- Robust construction
- Different surface finishes available

Description

Stainless steel enclosures have been proven themselves even in the harshest of environments.

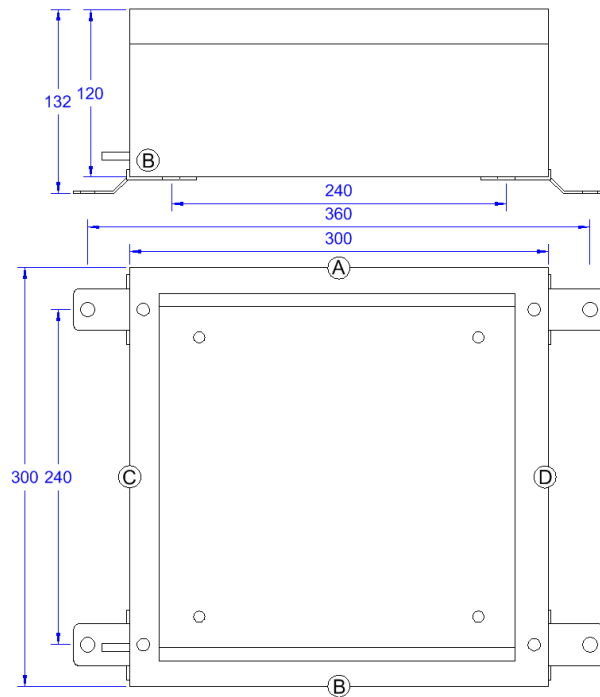
These robust enclosures can withstand harmful aggressive chemical and mechanical abuse.

The lid with integrated silicon gasket and high corrosion resistive stainless steel captive screws allows easy handling and reliability with a perfect weather seal.

The mounting lugs can be adjusted through 90° if required or alternatively use the 4no x M6 threaded bushes in the rear.

An optional mounting plate is available for ease of assembly.

M6 internal/external earth stud as standard.



Possible Application

- Ex e / Ex i junction boxes
- Terminal boxes in hygienic environments

Technical Data

Material:	Brushed Stainless Steel 1.2mm, 1.4404 / 316L
Option:	electro-polished/painted
Dimension (mm):	300 x 300 x 120
Mounting dim. (mm):	360 x 240 / 4x10,5Ø
from Backside (mm):	240 x 240 / 4xM6
Power dissipation:	35,0 Watt @ +40°C
for dust Ex:	17,5 Watt @ +40°C
Ingress protection:	IP 66
Impact resistance:	7 Joule
Min. ambient temp.:	-60°C
Temperature class:	T6 @ +50°C T5 @ +55°C T4 @ +60°C
Weight:	3,36 kg

Certificates

ATEX, IECEX, EAC TC-RU, NEMA 4X

Marking

Empty enclosures:

Ex II 2G Ex eb IIC / Ex II 2D Ex tb IIIC

Terminal Boxes:

Ex II 2G Ex eb ia IIC/IIB/IIA T6/T5/T4

Ex II 2D Ex tb IIIC T85°C/T100°C/T120°C

Quantity of glands

Gland	M16	M20	M25
Side A / B	27	14	12
Side C / D	27	14	12

Terminals

mm ²	2,5	4	6	10
horizontal rail	2x44	2x37	2x30	2x23



- High chemical resistance
- International certificates available
- Self-assembly with terminals
- Suitable for all hygienic environments
- Robust construction
- Different surface finishes available

Description

Stainless steel enclosures have been proven themselves even in the harshest of environments.

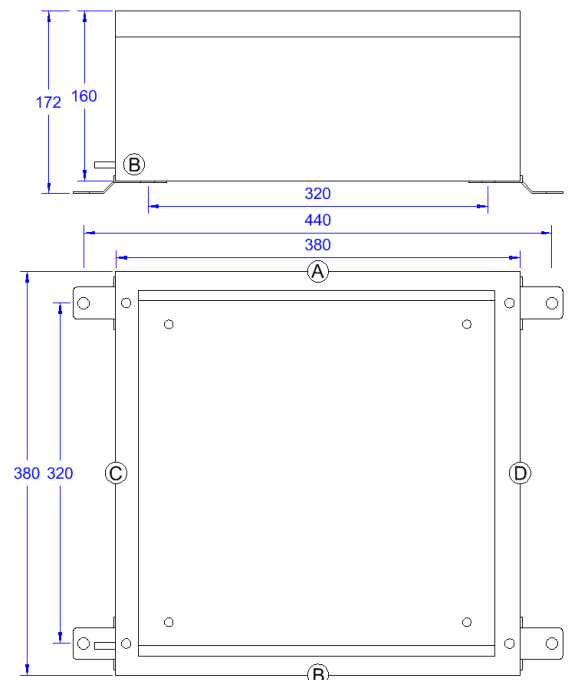
These robust enclosures can withstand harmful aggressive chemical and mechanical abuse.

The lid with integrated silicon gasket and high corrosion resistive stainless steel captive screws allows easy handling and reliability with a perfect weather seal.

The mounting lugs can be adjusted through 90° if required or alternatively use the 4no x M6 threaded bushes in the rear.

An optional mounting plate is available for ease of assembly.

M6 internal/external earth stud as standard.



Possible Application

- Ex e / Ex i junction boxes
- Terminal boxes in hygienic environments

Technical Data

Material:	Brushed Stainless Steel 1.2mm, 1.4404 / 316L
Option:	electro-polished/painted
Dimension (mm):	380 x 380 x 160
Mounting dim. (mm):	440 x 320 / 4x10,5Ø
from Backside (mm):	320 x 320 / 4xM6
Power dissipation:	57,0 Watt @ +40°C
for dust Ex:	28,5 Watt @ +40°C
Ingress protection:	IP 66
Impact resistance:	7 Joule
Min. ambient temp.:	-60°C
Temperature class:	T6 @ +50°C T5 @ +55°C T4 @ +60°C
Weight:	6,66 kg

Certificates

ATEX, IECEx, EAC TC-RU, NEMA 4X

Marking

Empty enclosures:

⊕ II 2G Ex eb IIC / ⊕ II 2D Ex tb IIIC

Terminal Boxes:

⊕ II 2G Ex eb ia IIC/IIB/IIA T6/T5/T4

⊕ II 2D Ex tb IIIC T85°C/T100°C/T120°C

Quantity of glands

Gland	M16	M20	M25
Side A / B	48	30	24
Side C / D	48	27	24

Terminals

mm ²	2,5	4	6	10
horizontal rail	3x59	3x50	3x41	3x31



- High chemical resistance
- International certificates available
- Self-assembly with terminals
- Suitable for all hygienic environments
- Robust construction
- Different surface finishes available

Description

Stainless steel enclosures have been proven themselves even in the harshest of environments.

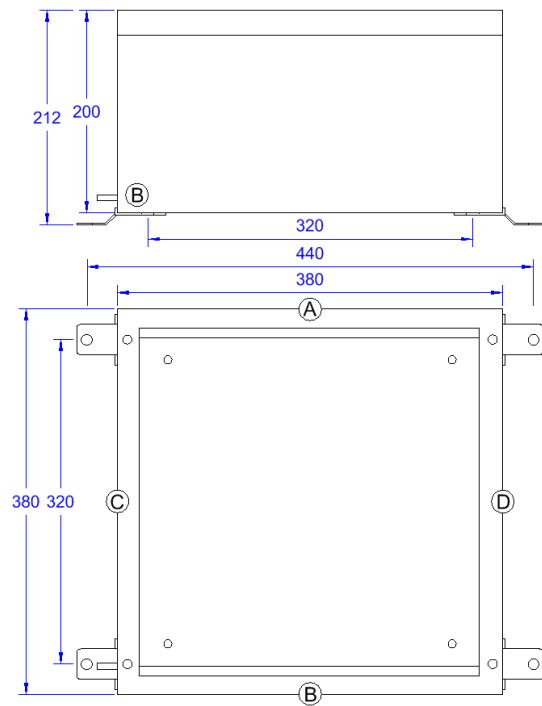
These robust enclosures can withstand harmful aggressive chemical and mechanical abuse.

The lid with integrated silicon gasket and high corrosion resistive stainless steel captive screws allows easy handling and reliability with a perfect weather seal.

The mounting lugs can be adjusted through 90° if required or alternatively use the 4no x M6 threaded bushes in the rear.

An optional mounting plate is available for ease of assembly.

M6 internal/external earth stud as standard.



Possible Application

- Ex e / Ex i junction boxes
- Terminal boxes in hygienic environments

Technical Data

Material:	Brushed Stainless Steel 1.2mm, 1.4404 / 316L
Option:	electro-polished/painted
Dimension (mm):	380 x 380 x 200
Mounting dim. (mm):	440 x 320 / 4x10,5Ø
from Backside (mm):	320 x 320 / 4xM6
Power dissipation:	64,0 Watt @ +40°C
for dust Ex:	32,0 Watt @ +40°C
Ingress protection:	IP 66
Impact resistance:	7 Joule
Min. ambient temp.:	-60°C
Temperature class:	T6 @ +50°C T5 @ +55°C T4 @ +60°C
Weight:	7,46 kg

Certificates

ATEX, IECEX, EAC TC-RU, NEMA 4X

Marking

Empty enclosures:

Ex II 2G Ex eb IIC / Ex II 2D Ex tb IIIC

Terminal Boxes:

Ex II 2G Ex eb ia IIC/IIB/IIA T6/T5/T4

Ex II 2D Ex tb IIIC T85°C/T100°C/T120°C

Quantity of glands

Gland	M16	M20	M25
Side A / B	72	50	32
Side C / D	72	45	32

Terminals

mm ²	2,5	4	6	10
horizontal rail	3x59	3x50	3x41	3x31



- High chemical resistance
- International certificates available
- Self-assembly with terminals
- Suitable for all hygienic environments
- Robust construction
- Different surface finishes available

Description

Stainless steel enclosures have been proven themselves even in the harshest of environments.

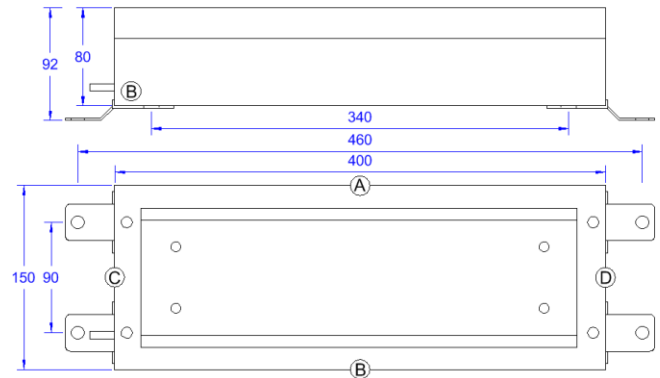
These robust enclosures can withstand harmful aggressive chemical and mechanical abuse.

The lid with integrated silicon gasket and high corrosion resistive stainless steel captive screws allows easy handling and reliability with a perfect weather seal.

The mounting lugs can be adjusted through 90° if required or alternatively use the 4no x M6 threaded bushes in the rear.

An optional mounting plate is available for ease of assembly.

M6 internal/external earth stud as standard.



Possible Application

- Ex e / Ex i junction boxes
- Terminal boxes in hygienic environments

Technical Data

Material:	Brushed Stainless Steel 1.2mm, 1.4404 / 316L
Option:	electro-polished/painted
Dimension (mm):	400 x 150 x 80
Mounting dim. (mm):	460 x 90 / 4x10,5Ø
from Backside (mm):	340 x 90 / 4xM6
Power dissipation:	23,0 Watt @ +40°C
for dust Ex:	11,5 Watt @ +40°C
Ingress protection:	IP 66
Impact resistance:	7 Joule
Min. ambient temp.:	-60°C
Temperature class:	T6 @ +50°C T5 @ +55°C T4 @ +60°C
Weight:	2,76 kg

Certificates

ATEX, IECEx, EAC TC-RU, NEMA 4X

Marking

Empty enclosures:

⊕ II 2G Ex eb IIC / ⊕ II 2D Ex tb IIIC

Terminal Boxes:

⊕ II 2G Ex eb ia IIC/IIB/IIA T6/T5/T4

⊕ II 2D Ex tb IIIC T85°C/T100°C/T120°C

Quantity of glands

Gland	M16	M20	M25
Side A / B	26	10	9
Side C / D	6	3	2

Terminals

mm ²	2,5	4	6	10
horizontal rail	63	53	44	33



- High chemical resistance
- International certificates available
- Self-assembly with terminals
- Suitable for all hygienic environments
- Robust construction
- Different surface finishes available

Description

Stainless steel enclosures have been proven themselves even in the harshest of environments.

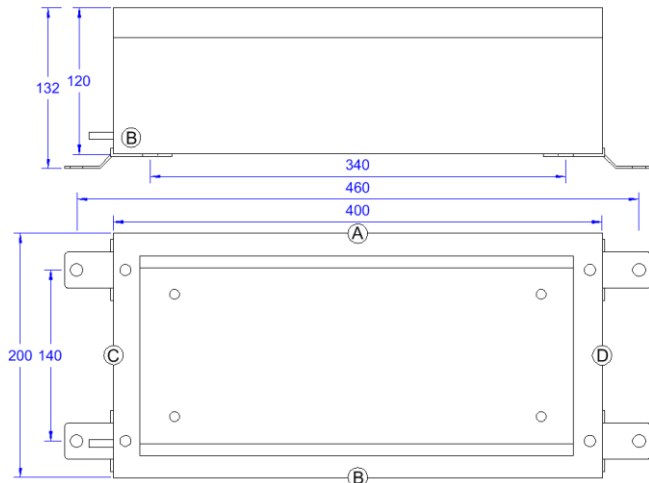
These robust enclosures can withstand harmful aggressive chemical and mechanical abuse.

The lid with integrated silicon gasket and high corrosion resistive stainless steel captive screws allows easy handling and reliability with a perfect weather seal.

The mounting lugs can be adjusted through 90° if required or alternatively use the 4no x M6 threaded bushes in the rear.

An optional mounting plate is available for ease of assembly.

M6 internal/external earth stud as standard.



Possible Application

- Ex e / Ex i junction boxes
- Terminal boxes in hygienic environments

Technical Data

Material:	Brushed Stainless Steel 1.2mm, 1.4404 / 316L
Option:	electro-polished/painted
Dimension (mm):	400 x 200 x 120
Mounting dim. (mm):	460 x 140 / 4x10,5Ø
from Backside (mm):	340 x 140 / 4xM6
Power dissipation:	33,0 Watt @ +40°C
for dust Ex:	16,5 Watt @ +40°C
Ingress protection:	IP 66
Impact resistance:	7 Joule
Min. ambient temp.:	-60°C
Temperature class:	T6 @ +50°C T5 @ +55°C T4 @ +60°C
Weight:	3,96 kg

Certificates

ATEX, IECEX, EAC TC-RU, NEMA 4X

Marking

Empty enclosures:

Ex II 2G Ex eb IIC / Ex II 2D Ex tb IIIC

Terminal Boxes:

Ex II 2G Ex eb ia IIC/IIB/IIA T6/T5/T4

Ex II 2D Ex tb IIIC T85°C/T100°C/T120°C

Quantity of glands

Gland	M16	M20	M25
Side A / B	39	20	18
Side C / D	15	8	6

Terminals

mm²	2,5	4	6	10
horizontal rail	63	53	44	33



- High chemical resistance
- International certificates available
- Self-assembly with terminals
- Suitable for all hygienic environments
- Robust construction
- Different surface finishes available

Description

Stainless steel enclosures have been proven themselves even in the harshest of environments.

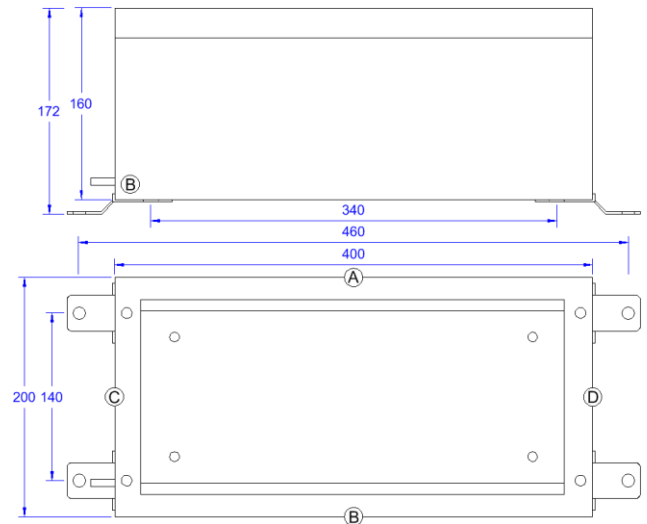
These robust enclosures can withstand harmful aggressive chemical and mechanical abuse.

The lid with integrated silicon gasket and high corrosion resistive stainless steel captive screws allows easy handling and reliability with a perfect weather seal.

The mounting lugs can be adjusted through 90° if required or alternatively use the 4no x M6 threaded bushes in the rear.

An optional mounting plate is available for ease of assembly.

M6 internal/external earth stud as standard.



Possible Application

- Ex e / Ex i junction boxes
- Terminal boxes in hygienic environments

Technical Data

Material:	Brushed Stainless Steel 1.2mm, 1.4404 / 316L
Option:	electro-polished/painted
Dimension (mm):	400 x 200 x 160
Mounting dim. (mm):	460 x 140 / 4x10,5Ø
from Backside (mm):	340 x 140 / 4xM6
Power dissipation:	39,0 Watt @ +40°C
for dust Ex:	19,5 Watt @ +40°C
Ingress protection:	IP 66
Impact resistance:	7 Joule
Min. ambient temp.:	-60°C
Temperature class:	T6 @ +50°C T5 @ +55°C T4 @ +60°C
Weight:	4,56 kg

Certificates

ATEX, IECEx, EAC TC-RU, NEMA 4X

Marking

Empty enclosures:

Ex II 2G Ex eb IIC / Ex II 2D Ex tb IIIC

Terminal Boxes:

Ex II 2G Ex eb ia IIC/IIB/IIA T6/T5/T4

Ex II 2D Ex tb IIIC T85°C/T100°C/T120°C

Quantity of glands

Gland	M16	M20	M25
Side A / B	52	30	27
Side C / D	20	12	9

Terminals

mm ²	2,5	4	6	10
horizontal rail	63	53	44	33



- High chemical resistance
- International certificates available
- Self-assembly with terminals
- Suitable for all hygienic environments
- Robust construction
- Different surface finishes available

Description

Stainless steel enclosures have been proven themselves even in the harshest of environments.

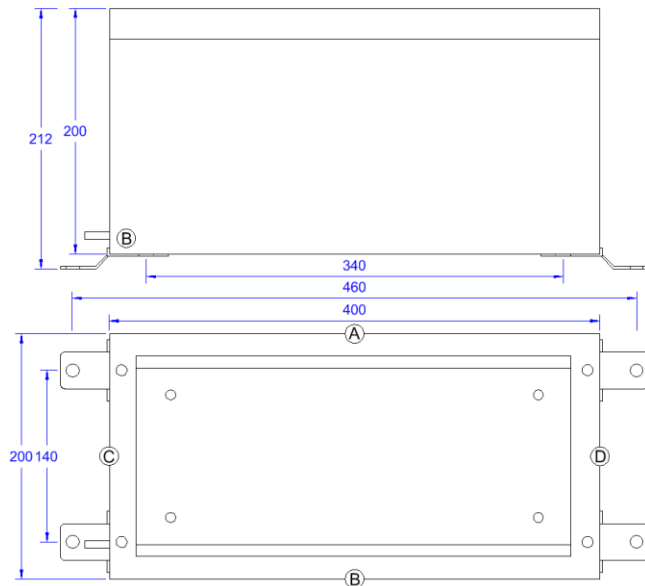
These robust enclosures can withstand harmful aggressive chemical and mechanical abuse.

The lid with integrated silicon gasket and high corrosion resistive stainless steel captive screws allows easy handling and reliability with a perfect weather seal.

The mounting lugs can be adjusted through 90° if required or alternatively use the 4no x M6 threaded bushes in the rear.

An optional mounting plate is available for ease of assembly.

M6 internal/external earth stud as standard.



Possible Application

- Ex e / Ex i junction boxes
- Terminal boxes in hygienic environments

Technical Data

Material:	Brushed Stainless Steel 1.2mm, 1.4404 / 316L
Option:	electro-polished/painted
Dimension (mm):	400 x 200 x 200
Mounting dim. (mm):	460 x 140 / 4x10,5Ø
from Backside (mm):	340 x 140 / 4xM6
Power dissipation:	45,0 Watt @ +40°C
for dust Ex:	22,5 Watt @ +40°C
Ingress protection:	IP 66
Impact resistance:	7 Joule
Min. ambient temp.:	-60°C
Temperature class:	T6 @ +50°C T5 @ +55°C T4 @ +60°C
Weight:	5,06 kg

Certificates

ATEX, IECEX, EAC TC-RU, NEMA 4X

Marking

Empty enclosures:

Ex II 2G Ex eb IIC / Ex II 2D Ex tb IIIC

Terminal Boxes:

Ex II 2G Ex eb ia IIC/IIB/IIA T6/T5/T4

Ex II 2D Ex tb IIIC T85°C/T100°C/T120°C

Quantity of glands

Gland	M16	M20	M25
Side A / B	78	50	36
Side C / D	30	20	12

Terminals

mm²	2,5	4	6	10
horizontal rail	63	53	44	33



- High chemical resistance
- International certificates available
- Self-assembly with terminals
- Suitable for all hygienic environments
- Robust construction
- Different surface finishes available

Description

Stainless steel enclosures have been proven themselves even in the harshest of environments.

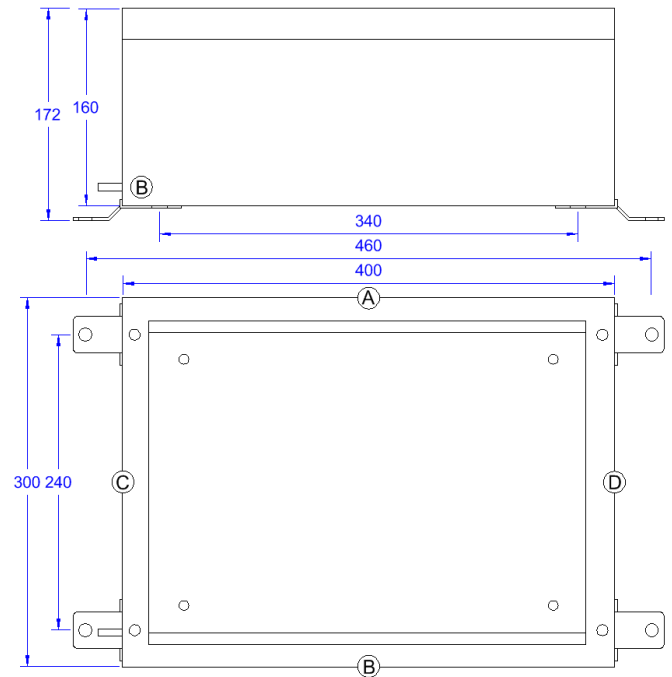
These robust enclosures can withstand harmful aggressive chemical and mechanical abuse.

The lid with integrated silicon gasket and high corrosion resistive stainless steel captive screws allows easy handling and reliability with a perfect weather seal.

The mounting lugs can be adjusted through 90° if required or alternatively use the 4no x M6 threaded bushes in the rear.

An optional mounting plate is available for ease of assembly.

M6 internal/external earth stud as standard.



Possible Application

- Ex e / Ex i junction boxes
- Terminal boxes in hygienic environments

Technical Data

Material:	Brushed Stainless Steel 1.2mm, 1.4404 / 316L
Option:	electro-polished/painted
Dimension (mm):	400 x 300 x 160
Mounting dim. (mm):	460 x 240 / 4x10,5Ø
from Backside (mm):	340 x 240 / 4xM6
Power dissipation:	50,0 Watt @ +40°C
for dust Ex:	25,0 Watt @ +40°C
Ingress protection:	IP 66
Impact resistance:	7 Joule
Min. ambient temp.:	-60°C
Temperature class:	T6 @ +50°C T5 @ +55°C T4 @ +60°C
Weight:	5,86 kg

Certificates

ATEX, IECEx, EAC TC-RU, NEMA 4X

Marking

Empty enclosures:

Ex II 2G Ex eb IIC / Ex II 2D Ex tb IIIC

Terminal Boxes:

Ex II 2G Ex eb ia IIC/IIB/IIA T6/T5/T4

Ex II 2D Ex tb IIIC T85°C/T100°C/T120°C

Quantity of glands

Gland	M16	M20	M25
Side A / B	52	30	27
Side C / D	36	21	18

Terminals

mm ²	2,5	4	6	10
horizontal rail	2x63	2x53	2x44	2x33



- High chemical resistance
- International certificates available
- Self-assembly with terminals
- Suitable for all hygienic environments
- Robust construction
- Different surface finishes available

Description

Stainless steel enclosures have been proven themselves even in the harshest of environments.

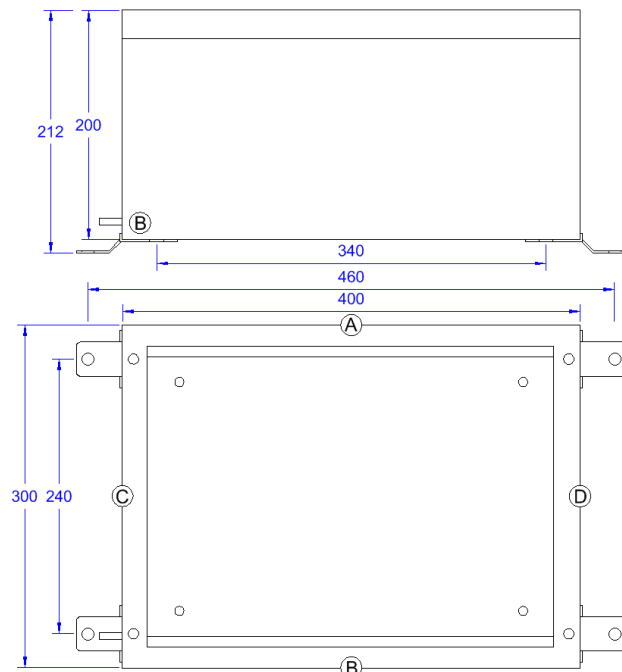
These robust enclosures can withstand harmful aggressive chemical and mechanical abuse.

The lid with integrated silicon gasket and high corrosion resistive stainless steel captive screws allows easy handling and reliability with a perfect weather seal.

The mounting lugs can be adjusted through 90° if required or alternatively use the 4no x M6 threaded bushes in the rear.

An optional mounting plate is available for ease of assembly.

M6 internal/external earth stud as standard.



Possible Application

- Ex e / Ex i junction boxes
- Terminal boxes in hygienic environments

Technical Data

Material:	Brushed Stainless Steel 1.2mm, 1.4404 / 316L
Option:	electro-polished/painted
Dimension (mm):	400 x 300 x 200
Mounting dim. (mm):	460 x 240 / 4x10,5Ø
from Backside (mm):	340 x 240 / 4xM6
Power dissipation:	57,0 Watt @ +40°C
for dust Ex:	28,5 Watt @ +40°C
Ingress protection:	IP 66
Impact resistance:	7 Joule
Min. ambient temp.:	-60°C
Temperature class:	T6 @ +50°C T5 @ +55°C T4 @ +60°C
Weight:	6,56 kg

Certificates

ATEX, IECEX, EAC TC-RU, NEMA 4X

Marking

Empty enclosures:

Ex II 2G Ex eb IIC / Ex II 2D Ex tb IIIC

Terminal Boxes:

Ex II 2G Ex eb ia IIC/IIB/IIA T6/T5/T4

Ex II 2D Ex tb IIIC T85°C/T100°C/T120°C

Quantity of glands

Gland	M16	M20	M25
Side A / B	78	50	36
Side C / D	54	35	24

Terminals

mm ²	2,5	4	6	10
horizontal rail	2x63	2x53	2x44	2x33



- High chemical resistance
- International certificates available
- Self-assembly with terminals
- Suitable for all hygienic environments
- Robust construction
- Different surface finishes available

Description

Stainless steel enclosures have been proven themselves even in the harshest of environments.

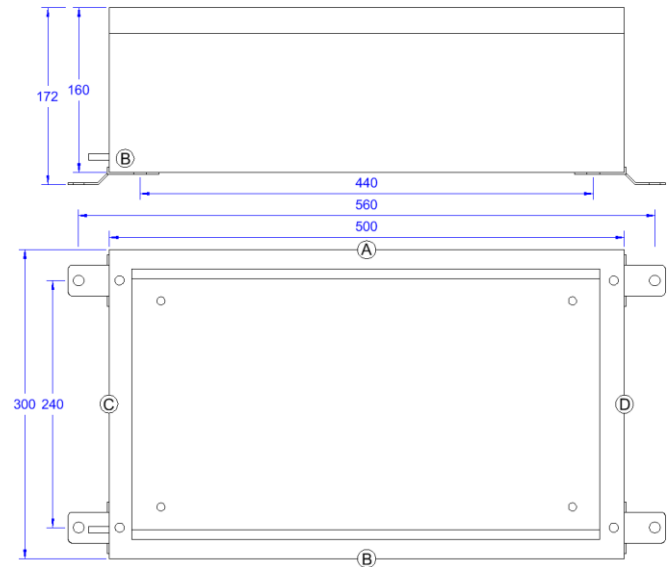
These robust enclosures can withstand harmful aggressive chemical and mechanical abuse.

The lid with integrated silicon gasket and high corrosion resistive stainless steel captive screws allows easy handling and reliability with a perfect weather seal.

The mounting lugs can be adjusted through 90° if required or alternatively use the 4no x M6 threaded bushes in the rear.

An optional mounting plate is available for ease of assembly.

M6 internal/external earth stud as standard.



Possible Application

- Ex e / Ex i junction boxes
- Terminal boxes in hygienic environments

Technical Data

Material:	Brushed Stainless Steel 1.2mm, 1.4404 / 316L
Option:	electro-polished/painted
Dimension (mm):	500 x 300 x 160
Mounting dim. (mm):	560 x 240 / 4x10,5Ø
from Backside (mm):	440 x 240 / 4xM6
Power dissipation:	61,0 Watt @ +40°C
for dust Ex:	30,5 Watt @ +40°C
Ingress protection:	IP 66
Impact resistance:	7 Joule
Min. ambient temp.:	-60°C
Temperature class:	T6 @ +50°C T5 @ +55°C T4 @ +60°C
Weight:	6,96 kg

Certificates

ATEX, IECEx, EAC TC-RU, NEMA 4X

Marking

Empty enclosures:

⊕ II 2G Ex eb IIC / ⊕ II 2D Ex tb IIIC

Terminal Boxes:

⊕ II 2G Ex eb ia IIC/IIB/IIA T6/T5/T4

⊕ II 2D Ex tb IIIC T85°C/T100°C/T120°C

Quantity of glands

Gland	M16	M20	M25
Side A / B	68	39	33
Side C / D	36	21	18

Terminals

mm ²	2,5	4	6	10
horizontal rail	2x82	2x69	2x57	2x43



- High chemical resistance
- International certificates available
- Self-assembly with terminals
- Suitable for all hygienic environments
- Robust construction
- Different surface finishes available

Description

Stainless steel enclosures have been proven themselves even in the harshest of environments.

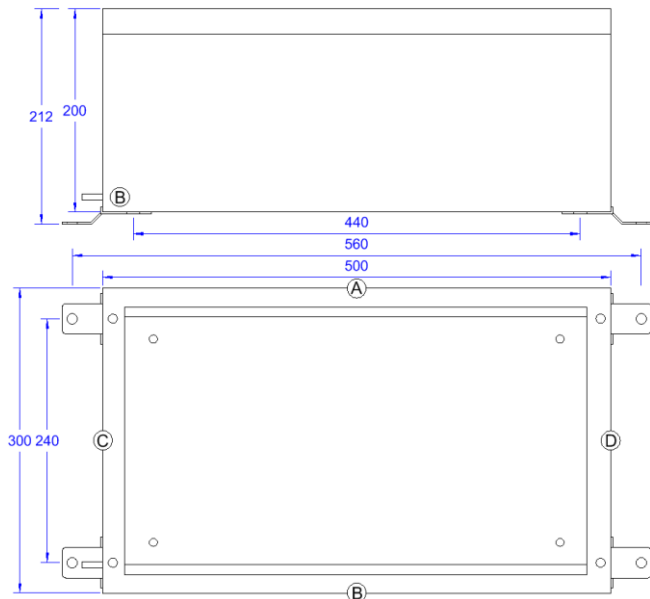
These robust enclosures can withstand harmful aggressive chemical and mechanical abuse.

The lid with integrated silicon gasket and high corrosion resistive stainless steel captive screws allows easy handling and reliability with a perfect weather seal.

The mounting lugs can be adjusted through 90° if required or alternatively use the 4no x M6 threaded bushes in the rear.

An optional mounting plate is available for ease of assembly.

M6 internal/external earth stud as standard.



Possible Application

- Ex e / Ex i junction boxes
- Terminal boxes in hygienic environments

Technical Data

Material:	Brushed Stainless Steel 1.2mm, 1.4404 / 316L
Option:	electro-polished/painted
Dimension (mm):	500 x 300 x 200
Mounting dim. (mm):	560 x 240 / 4x10,5Ø
from Backside (mm):	440 x 240 / 4xM6
Power dissipation:	68,0 Watt @ +40°C
for dust Ex:	34,0 Watt @ +40°C
Ingress protection:	IP 66
Impact resistance:	7 Joule
Min. ambient temp.:	-60°C
Temperature class:	T6 @ +50°C T5 @ +55°C T4 @ +60°C
Weight:	7,76 kg

Certificates

ATEX, IECEX, EAC TC-RU, NEMA 4X

Marking

Empty enclosures:

Ex II 2G Ex eb IIC / Ex II 2D Ex tb IIIC

Terminal Boxes:

Ex II 2G Ex eb ia IIC/IIB/IIA T6/T5/T4

Ex II 2D Ex tb IIIC T85°C/T100°C/T120°C

Quantity of glands

Gland	M16	M20	M25
Side A / B	102	65	44
Side C / D	54	35	24

Terminals

mm ²	2,5	4	6	10
horizontal rail	2x82	2x69	2x57	2x43



- High chemical resistance
- International certificates available
- Self-assembly with terminals
- Suitable for all hygienic environments
- Robust construction
- Different surface finishes available

Description

Stainless steel enclosures have been proven themselves even in the harshest of environments.

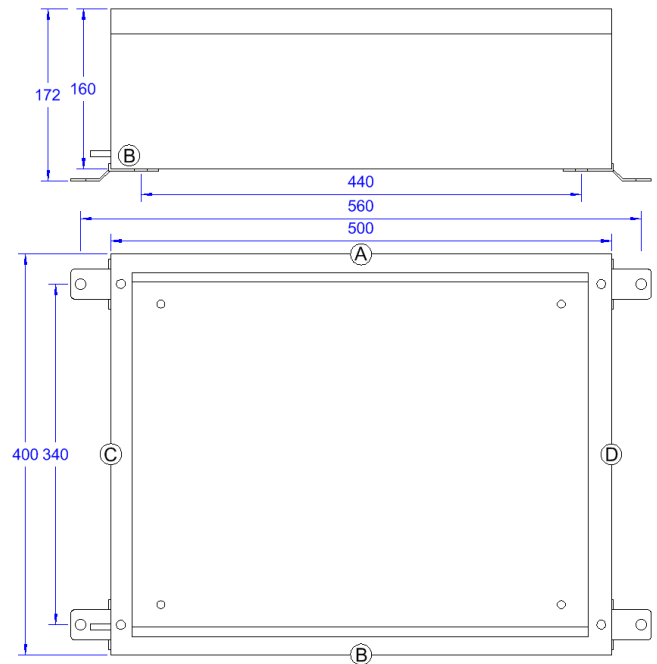
These robust enclosures can withstand harmful aggressive chemical and mechanical abuse.

The lid with integrated silicon gasket and high corrosion resistive stainless steel captive screws allows easy handling and reliability with a perfect weather seal.

The mounting lugs can be adjusted through 90° if required or alternatively use the 4no x M6 threaded bushes in the rear.

An optional mounting plate is available for ease of assembly.

M6 internal/external earth stud as standard.



Possible Application

- Ex e / Ex i junction boxes
- Terminal boxes in hygienic environments

Technical Data

Material:	Brushed Stainless Steel 1.2mm, 1.4404 / 316L
Option:	electro-polished/painted
Dimension (mm):	500 x 400 x 160
Mounting dim. (mm):	560 x 340 / 4x10,5Ø
from Backside (mm):	440 x 340 / 4xM6
Power dissipation:	74,0 Watt @ +40°C
for dust Ex:	37,0 Watt @ +40°C
Ingress protection:	IP 66
Impact resistance:	7 Joule
Min. ambient temp.:	-60°C
Temperature class:	T6 @ +50°C T5 @ +55°C T4 @ +60°C
Weight:	8,56 kg

Certificates

ATEX, IECEx, EAC TC-RU, NEMA 4X

Marking

Empty enclosures:

⊕ II 2G Ex eb IIC / ⊕ II 2D Ex tb IIIC

Terminal Boxes:

⊕ II 2G Ex eb ia IIC/IIB/IIA T6/T5/T4

⊕ II 2D Ex tb IIIC T85°C/T100°C/T120°C

Quantity of glands

Gland	M16	M20	M25
Side A / B	68	39	33
Side C / D	48	30	24

Terminals

mm ²	2,5	4	6	10
horizontal rail	3x82	3x69	3x57	3x43



- High chemical resistance
- International certificates available
- Self-assembly with terminals
- Suitable for all hygienic environments
- Robust construction
- Different surface finishes available

Description

Stainless steel enclosures have been proven themselves even in the harshest of environments.

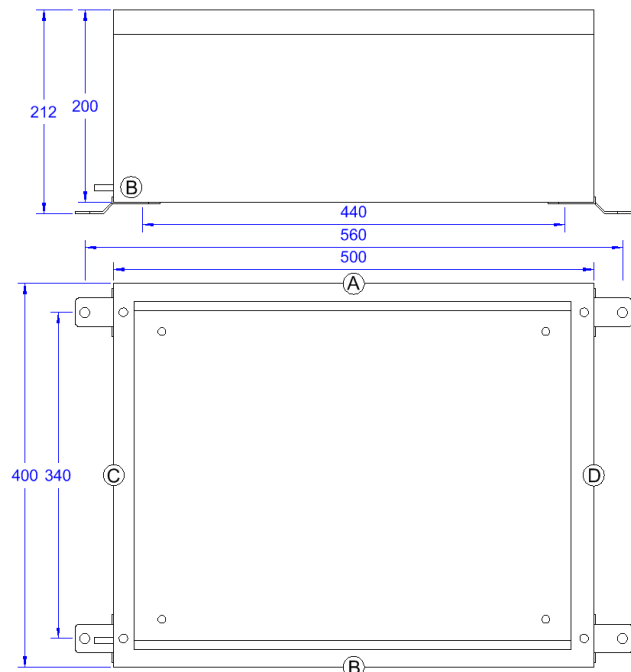
These robust enclosures can withstand harmful aggressive chemical and mechanical abuse.

The lid with integrated silicon gasket and high corrosion resistive stainless steel captive screws allows easy handling and reliability with a perfect weather seal.

The mounting lugs can be adjusted through 90° if required or alternatively use the 4no x M6 threaded bushes in the rear.

An optional mounting plate is available for ease of assembly.

M6 internal/external earth stud as standard.



Possible Application

- Ex e / Ex i junction boxes
- Terminal boxes in hygienic environments

Technical Data

Material:	Brushed Stainless Steel 1.2mm, 1.4404 / 316L
Option:	electro-polished/painted
Dimension (mm):	500 x 400 x 200
Mounting dim. (mm):	560 x 340 / 4x10,5Ø
from Backside (mm):	440 x 340 / 4xM6
Power dissipation:	82,0 Watt @ +40°C
for dust Ex:	41,0 Watt @ +40°C
Ingress protection:	IP 66
Impact resistance:	7 Joule
Min. ambient temp.:	-60°C
Temperature class:	T6 @ +50°C T5 @ +55°C T4 @ +60°C
Weight:	9,46 kg

Certificates

ATEX, IECEX, EAC TC-RU, NEMA 4X

Marking

Empty enclosures:

Ex II 2G Ex eb IIC / Ex II 2D Ex tb IIIC

Terminal Boxes:

Ex II 2G Ex eb ia IIC/IIB/IIA T6/T5/T4

Ex II 2D Ex tb IIIC T85°C/T100°C/T120°C

Quantity of glands

Gland	M16	M20	M25
Side A / B	102	65	44
Side C / D	72	50	32

Terminals

mm²	2,5	4	6	10
horizontal rail	3x82	3x69	3x57	3x43



- High chemical resistance
- International certificates available
- Self-assembly with terminals
- Suitable for all hygienic environments
- Robust construction
- Different surface finishes available

Description

Stainless steel enclosures have been proven themselves even in the harshest of environments.

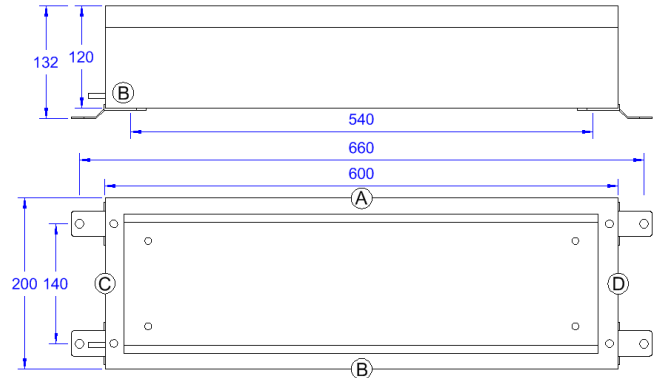
These robust enclosures can withstand harmful aggressive chemical and mechanical abuse.

The lid with integrated silicon gasket and high corrosion resistive stainless steel captive screws allows easy handling and reliability with a perfect weather seal.

The mounting lugs can be adjusted through 90° if required or alternatively use the 4no x M6 threaded bushes in the rear.

An optional mounting plate is available for ease of assembly.

M6 internal/external earth stud as standard.



Possible Application

- Ex e / Ex i junction boxes
- Terminal boxes in hygienic environments

Technical Data

Material:	Brushed Stainless Steel 1.2mm, 1.4404 / 316L
Option:	electro-polished/painted
Dimension (mm):	600 x 200 x 120
Mounting dim. (mm):	660 x 140 / 4x10,5Ø
from Backside (mm):	540 x 140 / 4xM6
Power dissipation:	48,0 Watt @ +40°C
for dust Ex:	24,0 Watt @ +40°C
Ingress protection:	IP 66
Impact resistance:	7 Joule
Min. ambient temp.:	-60°C
Temperature class:	T6 @ +50°C T5 @ +55°C T4 @ +60°C
Weight:	5,46 kg

Certificates

ATEX, IECEx, EAC TC-RU, NEMA 4X

Marking

Empty enclosures:

⊕ II 2G Ex eb IIC / ⊕ II 2D Ex tb IIIC

Terminal Boxes:

⊕ II 2G Ex eb ia IIC/IIB/IIA T6/T5/T4

⊕ II 2D Ex tb IIIC T85°C/T100°C/T120°C

Quantity of glands

Gland	M16	M20	M25
Side A / B	60	32	28
Side C / D	15	8	6

Terminals

mm ²	2,5	4	6	10
horizontal rail	101	85	70	53



- High chemical resistance
- International certificates available
- Self-assembly with terminals
- Suitable for all hygienic environments
- Robust construction
- Different surface finishes available

Description

Stainless steel enclosures have been proven themselves even in the harshest of environments.

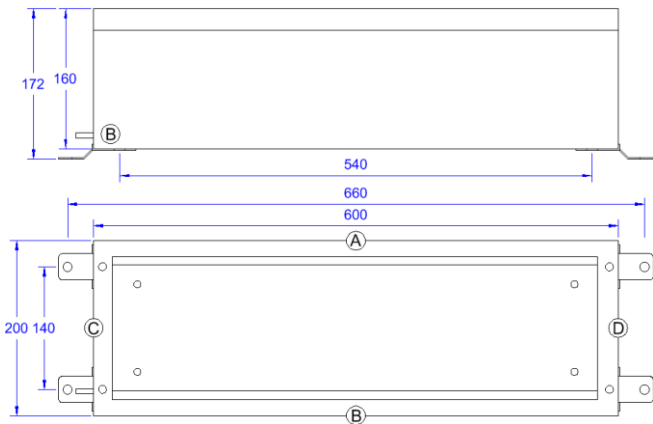
These robust enclosures can withstand harmful aggressive chemical and mechanical abuse.

The lid with integrated silicon gasket and high corrosion resistive stainless steel captive screws allows easy handling and reliability with a perfect weather seal.

The mounting lugs can be adjusted through 90° if required or alternatively use the 4no x M6 threaded bushes in the rear.

An optional mounting plate is available for ease of assembly.

M6 internal/external earth stud as standard.



Possible Application

- Ex e / Ex i junction boxes
- Terminal boxes in hygienic environments

Technical Data

Material:	Brushed Stainless Steel 1.2mm, 1.4404 / 316L
Option:	electro-polished/painted
Dimension (mm):	600 x 200 x 160
Mounting dim. (mm):	660 x 140 / 4x10,5Ø
from Backside (mm):	540 x 140 / 4xM6
Power dissipation:	56,0 Watt @ +40°C
for dust Ex:	28,0 Watt @ +40°C
Ingress protection:	IP 66
Impact resistance:	7 Joule
Min. ambient temp.:	-60°C
Temperature class:	T6 @ +50°C T5 @ +55°C T4 @ +60°C
Weight:	6,26 kg

Certificates

ATEX, IECEX, EAC TC-RU, NEMA 4X

Marking

Empty enclosures:

Ex II 2G Ex eb IIC / Ex II 2D Ex tb IIIC

Terminal Boxes:

Ex II 2G Ex eb ia IIC/IIB/IIA T6/T5/T4

Ex II 2D Ex tb IIIC T85°C/T100°C/T120°C

Quantity of glands

Gland	M16	M20	M25
Side A / B	80	48	42
Side C / D	20	12	9

Terminals

mm²	2,5	4	6	10
horizontal rail	101	85	70	53



- High chemical resistance
- International certificates available
- Self-assembly with terminals
- Suitable for all hygienic environments
- Robust construction
- Different surface finishes available

Description

Stainless steel enclosures have been proven themselves even in the harshest of environments.

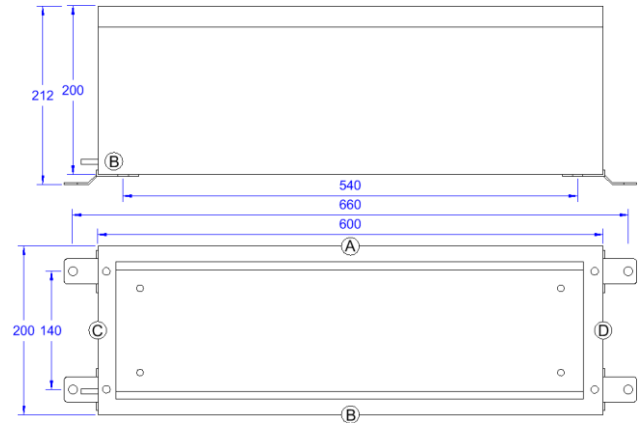
These robust enclosures can withstand harmful aggressive chemical and mechanical abuse.

The lid with integrated silicon gasket and high corrosion resistive stainless steel captive screws allows easy handling and reliability with a perfect weather seal.

The mounting lugs can be adjusted through 90° if required or alternatively use the 4no x M6 threaded bushes in the rear.

An optional mounting plate is available for ease of assembly.

M6 internal/external earth stud as standard.



Possible Application

- Ex e / Ex i junction boxes
- Terminal boxes in hygienic environments

Technical Data

Material:	Brushed Stainless Steel 1.2mm, 1.4404 / 316L
Option:	electro-polished/painted
Dimension (mm):	600 x 200 x 200
Mounting dim. (mm):	660 x 140 / 4x10,5Ø
from Backside (mm):	540 x 140 / 4xM6
Power dissipation:	63,0 Watt @ +40°C
for dust Ex:	31,5 Watt @ +40°C
Ingress protection:	IP 66
Impact resistance:	7 Joule
Min. ambient temp.:	-60°C
Temperature class:	T6 @ +50°C T5 @ +55°C T4 @ +60°C
Weight:	7,06 kg

Certificates

ATEX, IECEx, EAC TC-RU, NEMA 4X

Marking

Empty enclosures:

⊕ II 2G Ex eb IIC / ⊕ II 2D Ex tb IIIC

Terminal Boxes:

⊕ II 2G Ex eb ia IIC/IIB/IIA T6/T5/T4

⊕ II 2D Ex tb IIIC T85°C/T100°C/T120°C

Quantity of glands

Gland	M16	M20	M25
Side A / B	120	80	56
Side C / D	30	20	12

Terminals

mm ²	2,5	4	6	10
horizontal rail	101	85	70	53



- High chemical resistance
- International certificates available
- Self-assembly with terminals
- Suitable for all hygienic environments
- Robust construction
- Different surface finishes available

Description

Stainless steel enclosures have been proven themselves even in the harshest of environments.

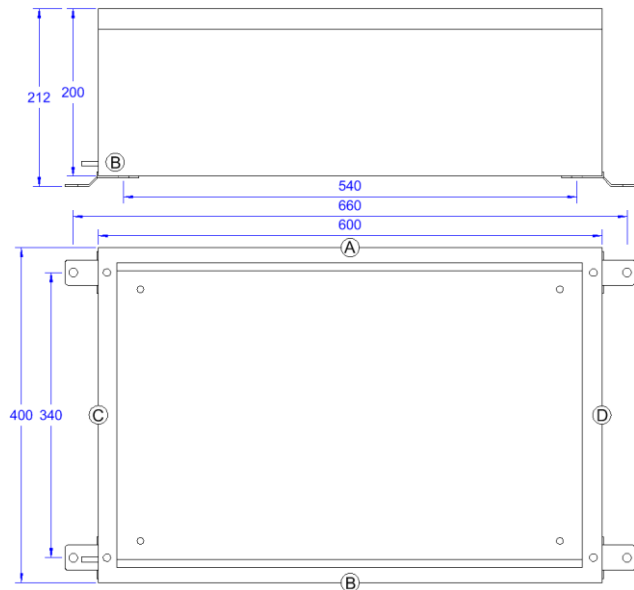
These robust enclosures can withstand harmful aggressive chemical and mechanical abuse.

The lid with integrated silicon gasket and high corrosion resistive stainless steel captive screws allows easy handling and reliability with a perfect weather seal.

The mounting lugs can be adjusted through 90° if required or alternatively use the 4no x M6 threaded bushes in the rear.

An optional mounting plate is available for ease of assembly.

M6 internal/external earth stud as standard.



Possible Application

- Ex e / Ex i junction boxes
- Terminal boxes in hygienic environments

Technical Data

Material:	Brushed Stainless Steel 1.2mm, 1.4404 / 316L
Option:	electro-polished/painted
Dimension (mm):	600 x 400 x 200
Mounting dim. (mm):	660 x 340 / 4x10,5Ø
from Backside (mm):	540 x 340 / 4xM6
Power dissipation:	96,0 Watt @ +40°C
for dust Ex:	48,0 Watt @ +40°C
Ingress protection:	IP 66
Impact resistance:	7 Joule
Min. ambient temp.:	-60°C
Temperature class:	T6 @ +50°C T5 @ +55°C T4 @ +60°C
Weight:	10,86 kg

Certificates

ATEX, IECEX, EAC TC-RU, NEMA 4X

Marking

Empty enclosures:

Ex II 2G Ex eb IIC / Ex II 2D Ex tb IIIC

Terminal Boxes:

Ex II 2G Ex eb ia IIC/IIB/IIA T6/T5/T4

Ex II 2D Ex tb IIIC T85°C/T100°C/T120°C

Quantity of glands

Gland	M16	M20	M25
Side A / B	120	80	56
Side C / D	72	50	32

Terminals

mm ²	2,5	4	6	10
horizontal rail	3x101	3x85	3x70	3x53

QX-V...Terminal Configuration



Stainless steel enclosures

Ex e / Ex i terminal boxes

Mixed configuration can be determined by percentage calculation

E.g.: QX-V5I: 12 x 2,5 with 20 A = 50%
 3 x 4 with 35 A = 43%
 Result = 93% -> OK

		QX-V11 (150 x 100 x 60 mm)															
		Querschnitt / Cross-section in mm ²															
		1,5	2,5	4	6	10	16	25	35	50	70	95	120	150	185	240	300
Strom [A] Current [A]																	
6																	
10	33																
16	11	22	86														
20	4	13	25														
25		6	14	27													
35			4	10	26												
50					8	22											
63					2	10	36										
80						3	11	40									
100							4	10									
125								4	10								
160									3	9							
200										3	8	25					
225											4	10					
250											2	6	12				
315												3	7				
400															5	15	
500																	3

In diesem Bereich kann unter Beachtung der Hinweise und der festgelegten Einbaumaße im Gehäuse beliebig zusätzlich bestückt werden.
In this area you can add terminals in notice of the references and the defined assembly dimensions of the enclosure

Bestückungen in diesem Bereich erfordern einen gesonderten Erwärmungsnachweis.
You need proof of warming for adding terminals in this area.

		QX-V21 (150 x 150 x 80 mm)															
		Querschnitt / Cross-section in mm ²															
		1,5	2,5	4	6	10	16	25	35	50	70	95	120	150	185	240	300
Strom [A] Current [A]																	
6																	
10	44																
16	15	29	114														
20	6	17	33														
25		8	18	36													
35			5	14	35												
50				2	11	29											
63					3	13	48										
80						5	15	53									
100							6	14									
125								5	14								
160									5	12							
200										4	11	33					
225											6	13					
250											3	8	16				
315												4	10				
400													2	6	20		
500																	4

In diesem Bereich kann unter Beachtung der Hinweise und der festgelegten Einbaumaße im Gehäuse beliebig zusätzlich bestückt werden.
In this area you can add terminals in notice of the references and the defined assembly dimensions of the enclosure

Bestückungen in diesem Bereich erfordern einen gesonderten Erwärmungsnachweis.
You need proof of warming for adding terminals in this area.



QX-V...Terminal Configuration

Erfahrung ist Zukunft



Stainless steel enclosures

Ex e / Ex i terminal boxes

QX-V3I (200 x 150 x 60 mm)		Querschnitt / Cross-section in mm ²															
		1,5	2,5	4	6	10	16	25	35	50	70	95	120	150	185	240	300
Strom [A]	Current [A]																
6																	
10	41																
16	14	27	106														
20	5	16	30														
25		7	17	33													
35			5	13	32												
50					10	27											
63					3	12	44										
80						4	14	49									
100							6	13									
125								5	13								
160									4	11							
200										4	10	31					
225											5	12					
250											3	7	15				
315												4	9				
400													2	6	18		
500																	3

In diesem Bereich kann unter Beachtung der Hinweise und der festgelegten Einbaumaße im Gehäuse beliebig zusätzlich bestückt werden.
In this area you can add terminals in notice of the references and the defined assembly dimensions of the enclosure

Bestückungen in diesem Bereich erfordern einen gesonderten Erwärmungsnachweis.
You need proof of warming for adding terminals in this area.

QX-V4I (200 x 200 x 80 mm)		Querschnitt / Cross-section in mm ²															
		1,5	2,5	4	6	10	16	25	35	50	70	95	120	150	185	240	300
Strom [A]	Current [A]																
6																	
10	51																
16	17	34	132														
20	7	20	38														
25		9	21	42													
35			6	16	40												
50				2	13	33											
63					4	15	55										
80						6	17	62									
100							7	16									
125								6	16								
160									5	14							
200										5	12	39					
225											2	7	15				
250												3	9	19			
315													2	5	11		
400														2	8	23	
500																	4

In diesem Bereich kann unter Beachtung der Hinweise und der festgelegten Einbaumaße im Gehäuse beliebig zusätzlich bestückt werden.
In this area you can add terminals in notice of the references and the defined assembly dimensions of the enclosure

Bestückungen in diesem Bereich erfordern einen gesonderten Erwärmungsnachweis.
You need proof of warming for adding terminals in this area.



QX-V...Terminal Configuration



Stainless steel enclosures

Ex e / Ex i terminal boxes

		QX-V5I (200 x 200 x 120 mm)															
		Querschnitt / Cross-section in mm ²															
		1,5	2,5	4	6	10	16	25	35	50	70	95	120	150	185	240	300
Strom [A]	Current [A]																
6																	
10	62																
16	21	41	162														
20	9	24	47														
25		11	26	51													
35			7	20	49												
50				3	16	41											
63					5	19	68										
80						7	21	76									
100							9	20									
125								8	20								
160									7	18							
200										6	15	47					
225											2	9	18				
250												4	11	23			
315													2	6	14		
400															3	9	28
500																	5

In diesem Bereich kann unter Beachtung der Hinweise und der festgelegten Einbaumaße im Gehäuse beliebig zusätzlich bestückt werden.
In this area you can add terminals in notice of the references and the defined assembly dimensions of the enclosure

Bestückungen in diesem Bereich erfordern einen gesonderten Erwärmungsnachweis.
You need proof of warming for adding terminals in this area.

		QX-V6I (200 x 200 x 160 mm)															
		Querschnitt / Cross-section in mm ²															
		1,5	2,5	4	6	10	16	25	35	50	70	95	120	150	185	240	300
Strom [A]	Current [A]																
6																	
10	74																
16	25	49	191														
20	10	28	55														
25		13	31	60													
35			9	23	59												
50				3	19	48											
63					6	22	80										
80						8	25	90									
100							10	23									
125								9	24								
160									8	21							
200										7	18	56					
225											2	10	22				
250												5	13	28			
315													2	8	16		
400															3	11	33
500																	6

In diesem Bereich kann unter Beachtung der Hinweise und der festgelegten Einbaumaße im Gehäuse beliebig zusätzlich bestückt werden.
In this area you can add terminals in notice of the references and the defined assembly dimensions of the enclosure

Bestückungen in diesem Bereich erfordern einen gesonderten Erwärmungsnachweis.
You need proof of warming for adding terminals in this area.



QX-V...Terminal Configuration

Erfahrung ist Zukunft



Stainless steel enclosures

Ex e / Ex i terminal boxes

		QX-V7I (300 x 150 x 80 mm)															
		Querschnitt / Cross-section in mm ²															
		1,5	2,5	4	6	10	16	25	35	50	70	95	120	150	185	240	300
Strom [A]	Current [A]																
6																	
10	48																
16	16	32	125														
20	7	19	36														
25		9	20	39													
35			6	15	38												
50				2	12	32											
63					4	14	52										
80						5	16	59									
100							7	15									
125								6	15								
160									5	14							
200										5	12	37					
225											7	14					
250											3	8	18				
315												5	11				
400													2	7			22
500																	4

In diesem Bereich kann unter Beachtung der Hinweise und der festgelegten Einbaumaße im Gehäuse beliebig zusätzlich bestückt werden.
In this area you can add terminals in notice of the references and the defined assembly dimensions of the enclosure

Bestückungen in diesem Bereich erfordern einen gesonderten Erwärmungsnachweis.
You need proof of warming for adding terminals in this area.

		QX-V8I (300 x 200 x 80 mm)															
		Querschnitt / Cross-section in mm ²															
		1,5	2,5	4	6	10	16	25	35	50	70	95	120	150	185	240	300
Strom [A]	Current [A]																
6																	
10	56																
16	19	37	144														
20	8	21	42														
25		10	23	45													
35			7	18	44												
50				2	14	36											
63					4	17	60										
80						6	19	67									
100							8	18									
125								7	18								
160									6	16							
200										5	13	42					
225										2	8	16					
250											4	10	21				
315												2	6	12			
400													2	8			25
500																	5

In diesem Bereich kann unter Beachtung der Hinweise und der festgelegten Einbaumaße im Gehäuse beliebig zusätzlich bestückt werden.
In this area you can add terminals in notice of the references and the defined assembly dimensions of the enclosure

Bestückungen in diesem Bereich erfordern einen gesonderten Erwärmungsnachweis.
You need proof of warming for adding terminals in this area.



QX-V...Terminal Configuration



Stainless steel enclosures

Ex e / Ex i terminal boxes

		QX-V9I (300 x 200 x 120 mm)															
		Querschnitt / Cross-section in mm ²															
		1,5	2,5	4	6	10	16	25	35	50	70	95	120	150	185	240	300
Strom [A] Current [A]																	
6																	
10	67																
16	23	44	173														
20	9	26	50														
25		12	28	54													
35			8	21	53												
50				3	17	44											
63					5	20	72										
80						7	22	81									
100							9	21									
125								8	21								
160									7	19							
200										6	16	51					
225											2	9	20				
250												5	12	25			
315													2	7	15		
400															3	10	30
500																	6

In diesem Bereich kann unter Beachtung der Hinweise und der festgelegten Einbaumaße im Gehäuse beliebig zusätzlich bestückt werden.
In this area you can add terminals in notice of the references and the defined assembly dimensions of the enclosure

Bestückungen in diesem Bereich erfordern einen gesonderten Erwärmungsnachweis.
You need proof of warming for adding terminals in this area.

		QX-V10I (300 x 200 x 200 mm)															
		Querschnitt / Cross-section in mm ²															
		1,5	2,5	4	6	10	16	25	35	50	70	95	120	150	185	240	300
Strom [A] Current [A]																	
6																	
10	89																
16	30	59	231														
20	12	34	67														
25		16	38	73													
35			11	28	71												
50				4	23	59											
63					7	27	97										
80						10	30	108									
100							13	28									
125								11	29								
160									10	25							
200										9	22	68					
225											3	12	26				
250												6	16	34			
315													3	9	20		
400															4	14	40
500																2	8

In diesem Bereich kann unter Beachtung der Hinweise und der festgelegten Einbaumaße im Gehäuse beliebig zusätzlich bestückt werden.
In this area you can add terminals in notice of the references and the defined assembly dimensions of the enclosure

Bestückungen in diesem Bereich erfordern einen gesonderten Erwärmungsnachweis.
You need proof of warming for adding terminals in this area.



		QX-V11I (300 x 300 x 120 mm)															
		Querschnitt / Cross-section in mm ²															
		1,5	2,5	4	6	10	16	25	35	50	70	95	120	150	185	240	300
Strom [A] Current [A]																	
6																	
10	77																
16	26	51	198														
20	11	30	57														
25		14	32	63													
35			9	24	61												
50				3	20	50											
63					6	23	83										
80						9	26	93									
100							11	24									
125								10	25								
160									8	22							
200										8	19	58					
225										3	11	23					
250											5	14	29				
315												3	8	17			
400														3	12	35	
500																	7

In diesem Bereich kann unter Beachtung der Hinweise und der festgelegten Einbaumaße im Gehäuse beliebig zusätzlich bestückt werden.
In this area you can add terminals in notice of the references and the defined assembly dimensions of the enclosure

Bestückungen in diesem Bereich erfordern einen gesonderten Erwärmungsnachweis.
You need proof of warming for adding terminals in this area.

		QX-V12I (300 x 300 x 160 mm)															
		Querschnitt / Cross-section in mm ²															
		1,5	2,5	4	6	10	16	25	35	50	70	95	120	150	185	240	300
Strom [A] Current [A]																	
6																	
10	88																
16	30	58	228														
20	12	34	66														
25		16	37	72													
35			11	28	70												
50				4	23	58											
63					7	27	96										
80						10	30	107									
100							13	28									
125								11	28								
160									10	25							
200										9	22	67					
225										3	12	26					
250											6	16	33				
315												3	9	20			
400														4	13	40	
500															2		8

In diesem Bereich kann unter Beachtung der Hinweise und der festgelegten Einbaumaße im Gehäuse beliebig zusätzlich bestückt werden.
In this area you can add terminals in notice of the references and the defined assembly dimensions of the enclosure

Bestückungen in diesem Bereich erfordern einen gesonderten Erwärmungsnachweis.
You need proof of warming for adding terminals in this area.

QX-V...Terminal Configuration



Stainless steel enclosures

Ex e / Ex i terminal boxes

		QX-V13I (300 x 300 x 200 mm)															
		Querschnitt / Cross-section in mm ²															
		1,5	2,5	4	6	10	16	25	35	50	70	95	120	150	185	240	300
Strom [A] Current [A]																	
6																	
10	100																
16	34	66	257														
20	14	38	74														
25		18	42	81													
35			12	32	79												
50				4	26	65											
63					8	30	108										
80						11	34	121									
100							14	32									
125								13	32								
160									11	28							
200										10	24	76					
225											3	14	30				
250												7	18	38			
315													3	11	22		
400															5	15	45
500																2	9

In diesem Bereich kann unter Beachtung der Hinweise und der festgelegten Einbaumaße im Gehäuse beliebig zusätzlich bestückt werden.
In this area you can add terminals in notice of the references and the defined assembly dimensions of the enclosure

Bestückungen in diesem Bereich erfordern einen gesonderten Erwärmungsnachweis.
You need proof of warming for adding terminals in this area.

		QX-V14I (380 x 380 x 160 mm)															
		Querschnitt / Cross-section in mm ²															
		1,5	2,5	4	6	10	16	25	35	50	70	95	120	150	185	240	300
Strom [A] Current [A]																	
6																	
10	100																
16	34	66	257														
20	14	38	74														
25		18	42	81													
35			12	32	79												
50				4	26	65											
63					8	30	108										
80						11	34	121									
100							14	32									
125								13	32								
160									11	28							
200										10	24	76					
225											3	14	30				
250												7	18	38			
315													3	11	22		
400															5	15	45
500																2	9

In diesem Bereich kann unter Beachtung der Hinweise und der festgelegten Einbaumaße im Gehäuse beliebig zusätzlich bestückt werden.
In this area you can add terminals in notice of the references and the defined assembly dimensions of the enclosure

Bestückungen in diesem Bereich erfordern einen gesonderten Erwärmungsnachweis.
You need proof of warming for adding terminals in this area.



QX-V...Terminal Configuration



Stainless steel enclosures

Ex e / Ex i terminal boxes

		QX-V15I (380 x 380 x 200 mm)															
		Querschnitt / Cross-section in mm ²															
		1,5	2,5	4	6	10	16	25	35	50	70	95	120	150	185	240	300
Strom [A] Current [A]																	
6																	
10	111																
16	38	74	287														
20	16	43	83														
25		20	47	91													
35			14	35	88												
50				5	29	73											
63					9	34	120										
80						13	37	135									
100							16	35									
125								14	36								
160									12	31							
200										11	27	85					
225											4	16	33				
250												8	20	42			
315													4	12	25		
400															5	17	50
500																2	10

In diesem Bereich kann unter Beachtung der Hinweise und der festgelegten Einbaumaße im Gehäuse beliebig zusätzlich bestückt werden.
In this area you can add terminals in notice of the references and the defined assembly dimensions of the enclosure

Bestückungen in diesem Bereich erfordern einen gesonderten Erwärmungsnachweis.
You need proof of warming for adding terminals in this area.

		QX-V16I (400 x 150 x 80 mm)															
		Querschnitt / Cross-section in mm ²															
		1,5	2,5	4	6	10	16	25	35	50	70	95	120	150	185	240	300
Strom [A] Current [A]																	
6																	
10	49																
16	16	32	126														
20	7	19	36														
25		9	20	40													
35			6	15	39												
50				2	12	32											
63					4	15	53										
80						5	16	59									
100							7	15									
125								6	16								
160									5	14							
200										5	12	37					
225											7	14					
250												3	9	18			
315													5	11			
400														2	7	22	
500																	4

In diesem Bereich kann unter Beachtung der Hinweise und der festgelegten Einbaumaße im Gehäuse beliebig zusätzlich bestückt werden.
In this area you can add terminals in notice of the references and the defined assembly dimensions of the enclosure

Bestückungen in diesem Bereich erfordern einen gesonderten Erwärmungsnachweis.
You need proof of warming for adding terminals in this area.

QX-V...Terminal Configuration

Stainless steel enclosures

Ex e / Ex i terminal boxes

		QX-V17I (400 x 200 x 120 mm)															
		Querschnitt / Cross-section in mm ²															
		1,5	2,5	4	6	10	16	25	35	50	70	95	120	150	185	240	300
Strom [A] Current [A]																	
6																	
10	68																
16	23	45	177														
20	9	26	51														
25		12	29	56													
35			8	22	54												
50				3	17	45											
63					6	21	74										
80						8	23	83									
100							10	22									
125								8	22								
160									7	19							
200										7	17	52					
225											2	9	20				
250												5	12	26			
315													2	7	15		
400															3	10	31
500																	6

In diesem Bereich kann unter Beachtung der Hinweise und der festgelegten Einbaumaße im Gehäuse beliebig zusätzlich bestückt werden.
In this area you can add terminals in notice of the references and the defined assembly dimensions of the enclosure

Bestückungen in diesem Bereich erfordern einen gesonderten Erwärmungsnachweis.
You need proof of warming for adding terminals in this area.

		QX-V18I (400 x 200 x 160 mm)															
		Querschnitt / Cross-section in mm ²															
		1,5	2,5	4	6	10	16	25	35	50	70	95	120	150	185	240	300
Strom [A] Current [A]																	
6																	
10	79																
16	27	52	205														
20	11	30	59														
25		14	33	65													
35			10	25	63												
50				3	20	52											
63					7	24	86										
80						9	27	96									
100							11	25									
125								10	25								
160									8	22							
200										8	19	60					
225											3	11	23				
250												6	14	30			
315													3	8	18		
400															4	12	36
500																	7

In diesem Bereich kann unter Beachtung der Hinweise und der festgelegten Einbaumaße im Gehäuse beliebig zusätzlich bestückt werden.
In this area you can add terminals in notice of the references and the defined assembly dimensions of the enclosure

Bestückungen in diesem Bereich erfordern einen gesonderten Erwärmungsnachweis.
You need proof of warming for adding terminals in this area.

QX-V...Terminal Configuration

Erfahrung ist Zukunft



Stainless steel enclosures

Ex e / Ex i terminal boxes

		QX-V19I (400 x 200 x 200 mm)															
		Querschnitt / Cross-section in mm ²															
		1,5	2,5	4	6	10	16	25	35	50	70	95	120	150	185	240	300
Strom [A] Current [A]																	
6																	
10	90																
16	31	60	233														
20	12	35	67														
25		16	38	73													
35			11	29	71												
50				4	23	59											
63					8	27	97										
80						10	30	109									
100							13	29									
125								11	29								
160									10	25							
200										9	22	68					
225											3	12	27				
250												6	16	34			
315													3	10	20		
400															4	14	41
500																2	8

In diesem Bereich kann unter Beachtung der Hinweise und der festgelegten Einbaumaße im Gehäuse beliebig zusätzlich bestückt werden.
In this area you can add terminals in notice of the references and the defined assembly dimensions of the enclosure

Bestückungen in diesem Bereich erfordern einen gesonderten Erwärmungsnachweis.
You need proof of warming for adding terminals in this area.

		QX-V20I (400 x 300 x 160 mm)															
		Querschnitt / Cross-section in mm ²															
		1,5	2,5	4	6	10	16	25	35	50	70	95	120	150	185	240	300
Strom [A] Current [A]																	
6																	
10	93																
16	32	62	241														
20	13	36	70														
25		17	39	76													
35			11	30	74												
50				4	24	61											
63					8	28	101										
80						11	31	113									
100							13	30									
125								12	30								
160									10	26							
200										9	23	71					
225											3	13	28				
250												7	17	35			
315													3	10	21		
400															4	14	42
500																2	8

In diesem Bereich kann unter Beachtung der Hinweise und der festgelegten Einbaumaße im Gehäuse beliebig zusätzlich bestückt werden.
In this area you can add terminals in notice of the references and the defined assembly dimensions of the enclosure

Bestückungen in diesem Bereich erfordern einen gesonderten Erwärmungsnachweis.
You need proof of warming for adding terminals in this area.



QX-V...Terminal Configuration



Stainless steel enclosures

Ex e / Ex i terminal boxes

		QX-V21I (400 x 300 x 200 mm)															
		Querschnitt / Cross-section in mm ²															
		1,5	2,5	4	6	10	16	25	35	50	70	95	120	150	185	240	300
Strom [A] Current [A]																	
6																	
10	105																
16	36	69	270														
20	15	40	78														
25		19	44	85													
35			13	33	83												
50				5	27	69											
63					9	32	113										
80						12	35	127									
100							15	33									
125								13	34								
160									11	30							
200										10	26	80					
225											4	15	31				
250												8	19	40			
315													4	11	24		
400															5	16	47
500																2	9

In diesem Bereich kann unter Beachtung der Hinweise und der festgelegten Einbaumaße im Gehäuse beliebig zusätzlich bestückt werden.
In this area you can add terminals in notice of the references and the defined assembly dimensions of the enclosure

Bestückungen in diesem Bereich erfordern einen gesonderten Erwärmungsnachweis.
You need proof of warming for adding terminals in this area.

		QX-V22I (500 x 300 x 160 mm)															
		Querschnitt / Cross-section in mm ²															
		1,5	2,5	4	6	10	16	25	35	50	70	95	120	150	185	240	300
Strom [A] Current [A]																	
6																	
10	96																
16	33	64	248														
20	13	37	72														
25		17	41	78													
35			12	30	76												
50				4	25	63											
63					8	29	104										
80						11	32	116									
100							14	30									
125								12	31								
160									10	27							
200										10	23	73					
225											3	13	28				
250												7	17	36			
315													3	10	22		
400															4	15	43
500																2	8

In diesem Bereich kann unter Beachtung der Hinweise und der festgelegten Einbaumaße im Gehäuse beliebig zusätzlich bestückt werden.
In this area you can add terminals in notice of the references and the defined assembly dimensions of the enclosure

Bestückungen in diesem Bereich erfordern einen gesonderten Erwärmungsnachweis.
You need proof of warming for adding terminals in this area.



QX-V...Terminal Configuration

Erfahrung ist Zukunft



Stainless steel enclosures

Ex e / Ex i terminal boxes

		QX-V23I (500 x 300 x 200 mm)															
		Querschnitt / Cross-section in mm ²															
		1,5	2,5	4	6	10	16	25	35	50	70	95	120	150	185	240	300
Strom [A] Current [A]																	
6																	
10	107																
16	36	71	276														
20	15	41	80														
25		19	45	87													
35			13	34	85												
50				5	28	70											
63					9	32	116										
80						12	36	130									
100							15	34									
125								14	34								
160									12	30							
200										11	26	81					
225											4	15	32				
250												8	19	40			
315													4	11	24		
400															5	16	48
500																2	9

In diesem Bereich kann unter Beachtung der Hinweise und der festgelegten Einbaumaße im Gehäuse beliebig zusätzlich bestückt werden.
In this area you can add terminals in notice of the references and the defined assembly dimensions of the enclosure

Bestückungen in diesem Bereich erfordern einen gesonderten Erwärmungsnachweis.
You need proof of warming for adding terminals in this area.

		QX-V24I (500 x 400 x 160 mm)															
		Querschnitt / Cross-section in mm ²															
		1,5	2,5	4	6	10	16	25	35	50	70	95	120	150	185	240	300
Strom [A] Current [A]																	
6																	
10	108																
16	37	72	279														
20	15	42	81														
25		20	46	88													
35			13	34	86												
50				5	28	71											
63					9	33	117										
80						12	36	131									
100							15	34									
125								14	35								
160									12	31							
200										11	27	82					
225											4	15	32				
250												8	19	41			
315													4	12	24		
400															5	17	49
500																2	9

In diesem Bereich kann unter Beachtung der Hinweise und der festgelegten Einbaumaße im Gehäuse beliebig zusätzlich bestückt werden.
In this area you can add terminals in notice of the references and the defined assembly dimensions of the enclosure

Bestückungen in diesem Bereich erfordern einen gesonderten Erwärmungsnachweis.
You need proof of warming for adding terminals in this area.



QX-V...Terminal Configuration



Stainless steel enclosures

Ex e / Ex i terminal boxes

		QX-V25I (500 x 400 x 200 mm)															
		Querschnitt / Cross-section in mm ²															
		1,5	2,5	4	6	10	16	25	35	50	70	95	120	150	185	240	300
Strom [A] Current [A]																	
6																	
10	119																
16	41	79	309														
20	17	46	89														
25		22	51	98													
35			15	38	95												
50				5	31	78											
63					10	36	129										
80						14	40	145									
100							17	38									
125								15	39								
160									13	34							
200										12	29	91					
225											4	17	36				
250												9	22	45			
315													4	13	27		
400															6	18	54
500																2	10

In diesem Bereich kann unter Beachtung der Hinweise und der festgelegten Einbaumaße im Gehäuse beliebig zusätzlich bestückt werden.
In this area you can add terminals in notice of the references and the defined assembly dimensions of the enclosure

Bestückungen in diesem Bereich erfordern einen gesonderten Erwärmungsnachweis.
You need proof of warming for adding terminals in this area.

		QX-V26I (600 x 200 x 120 mm)															
		Querschnitt / Cross-section in mm ²															
		1,5	2,5	4	6	10	16	25	35	50	70	95	120	150	185	240	300
Strom [A] Current [A]																	
6																	
10	69																
16	23	45	177														
20	9	26	51														
25		12	29	56													
35			8	22	54												
50				3	17	45											
63					6	21	74										
80						8	23	83									
100							10	22									
125								9	22								
160									7	19							
200										7	17	52					
225											2	9	20				
250												5	12	26			
315													2	7	15		
400															3	10	31
500																	6

In diesem Bereich kann unter Beachtung der Hinweise und der festgelegten Einbaumaße im Gehäuse beliebig zusätzlich bestückt werden.
In this area you can add terminals in notice of the references and the defined assembly dimensions of the enclosure

Bestückungen in diesem Bereich erfordern einen gesonderten Erwärmungsnachweis.
You need proof of warming for adding terminals in this area.



QX-V...Terminal Configuration

Stainless steel enclosures

Ex e / Ex i terminal boxes

		QX-V27I (600 x 200 x 160 mm)															
		Querschnitt / Cross-section in mm ²															
		1,5	2,5	4	6	10	16	25	35	50	70	95	120	150	185	240	300
Strom [A] Current [A]																	
6																	
10	79																
16	27	52	204														
20	11	30	59														
25		14	33	64													
35			9	25	62												
50				3	20	52											
63					7	24	85										
80						9	26	96									
100							11	25									
125								10	25								
160									8	22							
200										8	19	60					
225											3	11	23				
250												6	14	30			
315													3	8	18		
400															4	12	36
500																	7

In diesem Bereich kann unter Beachtung der Hinweise und der festgelegten Einbaumaße im Gehäuse beliebig zusätzlich bestückt werden.
In this area you can add terminals in notice of the references and the defined assembly dimensions of the enclosure

Bestückungen in diesem Bereich erfordern einen gesonderten Erwärmungsnachweis.
You need proof of warming for adding terminals in this area.

		QX-V28I (600 x 200 x 200 mm)															
		Querschnitt / Cross-section in mm ²															
		1,5	2,5	4	6	10	16	25	35	50	70	95	120	150	185	240	300
Strom [A] Current [A]																	
6																	
10	89																
16	30	59	230														
20	12	34	67														
25		16	38	73													
35			11	28	71												
50				4	23	58											
63					7	27	96										
80						10	30	108									
100							13	28									
125								11	29								
160									10	25							
200										9	22	68					
225											3	12	26				
250												6	16	34			
315													3	9	20		
400															4	14	40
500																2	8

In diesem Bereich kann unter Beachtung der Hinweise und der festgelegten Einbaumaße im Gehäuse beliebig zusätzlich bestückt werden.
In this area you can add terminals in notice of the references and the defined assembly dimensions of the enclosure

Bestückungen in diesem Bereich erfordern einen gesonderten Erwärmungsnachweis.
You need proof of warming for adding terminals in this area.

QX-V...Terminal Configuration

Stainless steel enclosures

Ex e / Ex i terminal boxes

		QX-V29I (600 x 400 x 200 mm)															
		Querschnitt / Cross-section in mm ²															
		1,5	2,5	4	6	10	16	25	35	50	70	95	120	150	185	240	300
Strom [A] Current [A]																	
6																	
10	123																
16	42	82	317														
20	17	48	92														
25		22	52	100													
35			15	39	98												
50				5	32	81											
63					10	37	133										
80						14	41	149									
100							18	39									
125								16	40								
160									13	35							
200										12	30	94					
225											4	17	37				
250												9	22	46			
315													4	13	28		
400															6	19	56
500																2	11

In diesem Bereich kann unter Beachtung der Hinweise und der festgelegten Einbaumaße im Gehäuse beliebig zusätzlich bestückt werden.
In this area you can add terminals in notice of the references and the defined assembly dimensions of the enclosure

Bestückungen in diesem Bereich erfordern einen gesonderten Erwärmungsnachweis.
You need proof of warming for adding terminals in this area.

		QX-V30I (600 x 600 x 200 mm)															
		Querschnitt / Cross-section in mm ²															
		1,5	2,5	4	6	10	16	25	35	50	70	95	120	150	185	240	300
Strom [A] Current [A]																	
6																	
10	142																
16	49	95	368														
20	20	55	107														
25		26	60	116													
35			18	45	113												
50				6	37	94											
63					12	43	154										
80						16	48	173									
100							20	45									
125								2	18	46							
160									16	41							
200										14	35	109					
225											5	20	42				
250												10	26	54			
315													5	15	32		
400															7	22	65
500																3	13

In diesem Bereich kann unter Beachtung der Hinweise und der festgelegten Einbaumaße im Gehäuse beliebig zusätzlich bestückt werden.
In this area you can add terminals in notice of the references and the defined assembly dimensions of the enclosure

Bestückungen in diesem Bereich erfordern einen gesonderten Erwärmungsnachweis.
You need proof of warming for adding terminals in this area.

Customized Stainless Steel Enclosures acc. Specification

We manufacture stainless steel enclosures according your specification. Price and delivery time like standard enclosures

- Stainless steel 1.4404, 316L / 1.4301, 304
- Sizes up to 2000x1200x800mm
- Div. Material gauges
- Painted / powder coated in RAL-colour
- Electro-polished
- Including mounting plate
- Ex and Non-Ex Enclosures
- Up to 4 Gland plates
- Screwed lid or hinged door
- Div. Locking systems
- Including mounting brackets in stainless steel



Please visit our Webpage to see the latest information about Quintex

If you need quick help, please use our online chat. Free of charge and easy to use

