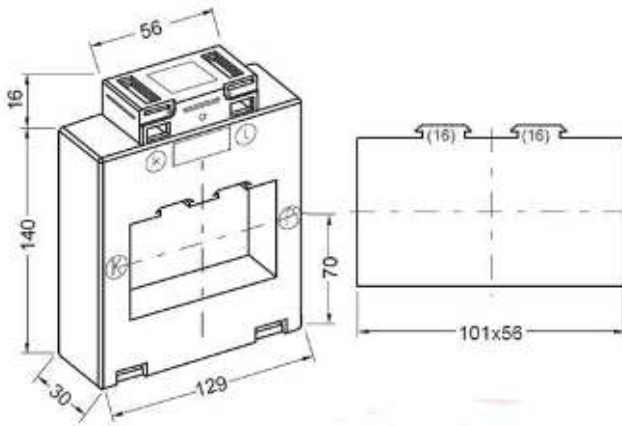


WINDOW TYPE CURRENT TRANSFORMER

13A1056.3



Primary bus bar
Weight

3 x 100 x 12 mm
470 - 700 g

I _{sr}	Cl.	PRIMARY RATED CURRENT I _{pr}														A
		400	500	600	750	800	1000	1200	1250	1500	1600	2000	2500	3000 *	4000 *	
5A	1	2,5	2,5	5	5	5	5	5	5	5	5	5	5	5	5	
		5	5	10	10	10	10	10	10	10	10	10	10	10	10	
							15	15	15	15	15	15	15	15	15	
											20	25	30	30	30	
	0,5	2,5	2,5	2,5	2,5	2,5	2,5	2,5	2,5	2,5	2,5	2,5	2,5	5	5	
		5	5	5	5	5	5	5	5	5	5	5	5	10	10	
				10	10	10	10	10	10	10	10	10	10	15	15	
							15	15	15	15	15	15	15	25	25	
	0,5S	2,5	2,5	2,5	2,5	2,5	2,5	2,5	2,5	2,5	2,5	2,5	2,5	5	5	
						5	5	5	5	5	5	5	5	10	10	
						10	10	10	10	10	10	10	10	15	15	
										15	15	15	15	20	20	
0,2	2,5	2,5	2,5	2,5	2,5	2,5	2,5	2,5	2,5	2,5	2,5	2,5	5	5		
					5	5	5	5	5	5	5	5	10	10		
						10	10	10	10	10	10	10	15	15		
												15	15	20	20	
0,2S	2,5	2,5	2,5	2,5	2,5	2,5	2,5	2,5	2,5	2,5	2,5	2,5	5	5		
												5	5	10	10	
													10	15	15	
1A	1	2,5	2,5	5	5	5	5	5	5	5	5	5	5	10		
		5	5	10	10	10	10	10	10	10	10	10	10	15		
							15	15	15	15	15	15	15	20		
											20	25	30	30		
	0,5	2,5	2,5	2,5	2,5	2,5	2,5	2,5	2,5	2,5	2,5	2,5	2,5	5		
		5	5	5	5	5	5	5	5	5	5	5	5	10		
				10	10	10	10	10	10	10	10	10	10	15		
							15	15	15	15	15	15	15	25		
	0,5S	2,5	2,5	2,5	2,5	2,5	2,5	2,5	2,5	2,5	2,5	2,5	2,5	5		
						5	5	5	5	5	5	5	5	10		
						10	10	10	10	10	10	10	10	15		
										15	15	15	15	20		
0,2	2,5	2,5	2,5	2,5	2,5	2,5	2,5	2,5	2,5	2,5	2,5	2,5	5			
					5	5	5	5	5	5	5	5	10			
									10	10	10	10	15			
												15	15	20		
0,2S	2,5	2,5	2,5	2,5	2,5	2,5	2,5	2,5	2,5	2,5	2,5	2,5	5			
												5	5	10		
													10			

* I_{cth} : 1,0 I_{pr} / 1,2 I_{pr} upon request

ACCESSORIES (INCLUDED IN THE SCOPE OF SUPPLY):

2 pcs.	Primary bus bar fixing device (Type 16),
4 pcs.	Threaded pins M5x55
2 pcs.	Secondary terminal cover (yellow sliders)
2 pcs.	Mounting feet

OPTIONAL ACCESSORIES

- Snap-on mounting brackets for rail TS35 (DIN EN 60715)
- Primary bus bar quick fastening device (Type 16-65)
- Insulating caps for the mounting pins of the primary bus bar fixing device

GENERAL TECHNICAL DATA:

Highest voltage for equipment U_m	0,72 kV
Rated power frequency withstand voltage (r.m.s.)	3 kV / 1 min
Frequency	50 / 60 Hz
Rated continuous thermal current I_{cth}	1,2 x I_{pr}
Instrument security factor	FS5 - FS15
Rated thermal current I_{th}	60 x I_{pr} for 1 s
Rated dynamic current I_{dyn}	2,5 x I_{th}
Service conditions	Indoor application
Ambient temperature (operation)	-40°C ... +60°C up to 2500 A -40°C ... +40°C from 3000 A up to 4000 A
Ambient temperature (storage / transport)	-40°C ... +60°C
Temperature rise class	H
Normative standards	IEC 61869 Part 1 + 2 DIN EN 42600
Enclosure	Break-proof polyamide Difficult to inflame
Secondary connection	Nickel plated cross-head screws (2 Nm) Integrated secondary terminal cover

SPECIAL DESIGNS (UPON REQUEST)

- Other ratings, burdens or accuracies
- Secondary reconnection
- Casted with resin
- Highest voltage for equipment 1,2 kV