

APMS050C135HD LED Drivers

BH Voltage driver for use on the following Appleton™ LED Luminaires: 3500, 4400 and 5500 Lumen Mercmaster™ LED Low Profile and Industrial Mercmaster LED Low Profile; 3500 and 5500 Lumen Mercmaster LED Generation 3 and Industrial Mercmaster LED Generation 3; 3700 and 5400 Lumen Code•Master™ LED, 5150 Lumen Code•Master Jr. LED and Hazardous Rigmaster™ LED, Industrial Rigmaster LED, Explosionproof Rigmaster LED, and NEC/CEC Viamaster™ LED. ①

Features

- Input voltage: 347-480 Vac
- Built-in active PFC function: 0.98 Typ.
- Built-in Lightning protection.
- High efficiency: 87% Typ.
- Waterproof (IP66)
- Constant Current / 0-10V Dimming
- Clock Dimming (CLK) / PWM Dimming
- Protection: OVP, SCP, OTP
- Full Power at 65% Io max ~ 100% Io max (Constant Power)
- UL Type HL

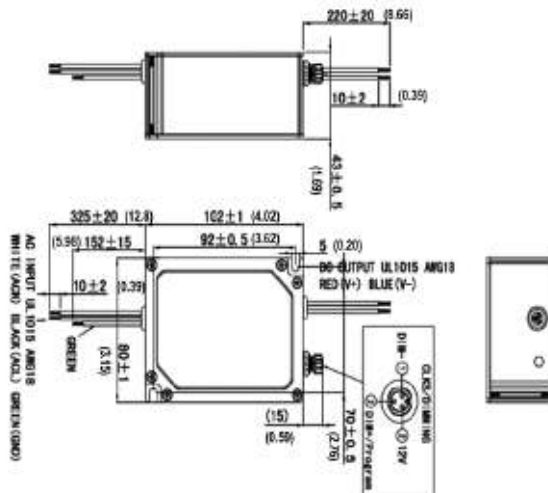
NEC/CEC Compliances

- UL8750, UL1310
- CSA 250.13



Output Current	Input Voltage	Max. Output Power	Typical Efficiency	Typical Power Factor	Used in BH Luminaire Models	Part Number
500 mA	347-480 Vac	50 W	87%	0.98	MLGL3, CMLED10	APMS050C135HD50
600 mA	347-480 Vac	50 W	87%	0.98	RM*2, IRM*2, ERM*2	APM050C135HD060
700 mA	347-480 Vac	50 W	87%	0.98	NEC rated LLEDA12, LLEDA15, LLEDA17 ②	APMS050C135HD70
720 mA	347-480 Vac	50 W	87%	0.98	MLLED2	APMS050C135HD72
750 mA	347-480 Vac	50 W	87%	0.98	CMLED15	APMS050C135HD75
780 mA	347-480 Vac	50 W	87%	0.98	MLGL5, CMLED15	APMS050C135HD78
1000 mA	347-480 Vac	50 W	87%	0.98	MLLED3	APMS050C135HD10
1040 mA	347-480 Vac	50 W	87%	0.98	RM*4, IRM*4, ERM*4	APM050C135HD104
1300 mA	347-480 Vac	50 W	87%	0.98	MLLED4	APMS050C135HD13
1350 mA	347-480 Vac	50 W	87%	0.98	CJLL3	APMS050C135HD

Dimensions in Millimeters (Inches)



① All drivers are user replaceable in the LED fixtures except for the driver used in the CJLL3 fixture which is not user replaceable.

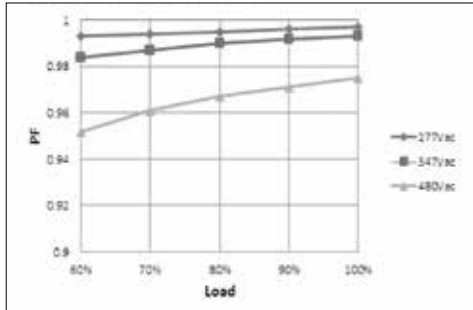
② Viamaster LLEDA17 model requires a quantity of two LED drivers listed above.

APMS050C135HD LED Drivers

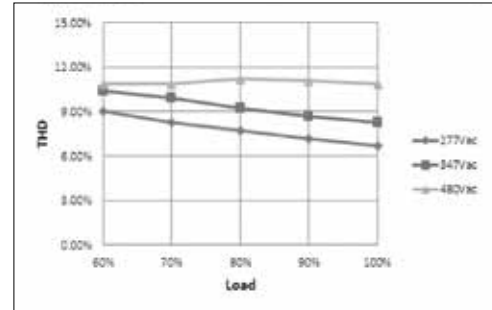
BH Voltage driver for use on the following Appleton™ LED Luminaires: 3500, 4400 and 5500 Lumen Mercmaster™ LED Low Profile and Industrial Mercmaster LED Low Profile; 3500 and 5500 Lumen Mercmaster LED Generation 3 and Industrial Mercmaster LED Generation 3; 3700 and 5400 Lumen Code•Master™ LED, 5150 Lumen Code•Master Jr. LED and Hazardous Rigmaster™ LED, Industrial Rigmaster LED, Explosionproof Rigmaster LED, and NEC/CEC Viamaster™ LED. ①

Diagrams

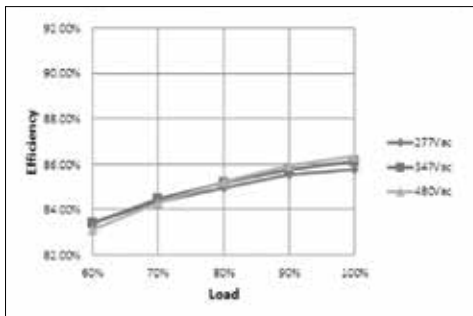
Power Factor vs. Load Curve



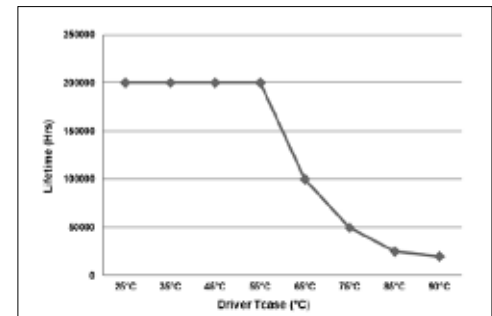
THD Curve



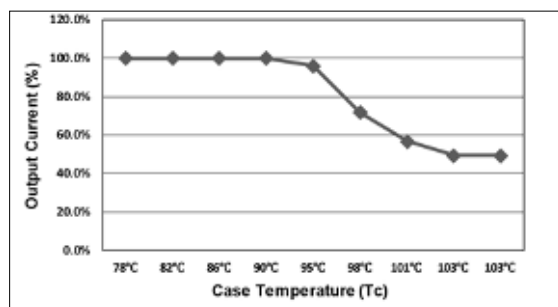
Efficiency vs. Load Curve



Lifetime vs. Driver Tcase



OTP



① All drivers are user replaceable in the LED fixtures except for the driver used in the CJLL3 fixture which is not user replaceable.

APMS050C135HD LED Drivers

BH Voltage driver for use on the following Appleton™ LED Luminaires: 3500, 4400 and 5500 Lumen Mercmaster™ LED Low Profile and Industrial Mercmaster LED Low Profile; 3500 and 5500 Lumen Mercmaster LED Generation 3 and Industrial Mercmaster LED Generation 3; 3700 and 5400 Lumen Code•Master™ LED, 5150 Lumen Code•Master Jr. LED and Hazardous Rigmaster™ LED, Industrial Rigmaster LED, Explosionproof Rigmaster LED, and NEC/CEC Viamaster™ LED. ①

Specifications ②

Input	Efficiency (277 Vac) ③	85% Typical, >83% at full load	
	Efficiency (480 Vac) ③	87%, Typical, >85% at full load	
	Voltage Range (V)	249–528 Vac	
	Voltage Rated (V)	277–480 Vac	
	Frequency Range (Hz)	47 ~ 63	
	Power Factor		0.96 Typical, at 480 Vac full load
			>0.9 with 50% ~ 100% load, at 277 ~ 480 Vac
			<15% with 80% ~ 100% load, at 277 ~ 480 Vac
	THD	<20% with 50% ~ 100% load, at 277 ~ 480 Vac	
	AC Current (Max.)	0.3A MAX at 277 Vac	
Inrush Current (Max.)	65 Amp at 480 Vac input +25 °C (+77 °F) Cold Start (time wide=500 uS, measured at 50% Ipeak.)		
Leakage Current (Max.)	0.75 mA at 480 Vac, 60 Hz		
Output	Output Voltage Range (V)	56-22	
	Output Current Range (mA)	90-1350	
	Rated Power (W)	50 (max.)	
	Output Current Settable Range	0.45 - 1.35 A dc	
	Constant Power Output Settable Range	65% I _{o_max} ~ 100% I _{o_max}	
	Ripple Current	<10% ([PK-AV] / AV), full load	
	Current Tolerance	5%	
	Line Regulation	3%	
	Load Regulation	5%	
Turn On Delay Time	2s (typ.), measured at 277 Vac input		
Dimming Control	12 Vdc Output Voltage (Vdc)	10.8 V min. ~ 12 V typ. ~ 13.2 V max.	
	12 Vdc Output Current (mA)	0 mA ~ 20 mA max.	
	0 ~ 10V / DMI+ Voltage	Absolute maximum voltage -10 V min ~ 20 V max	
	0 ~ 10V / DMI+ Short Current	280 uA ~ 450 uA (DIM(+)=0)	
	Dimming Function	0 ~ 10 V / 10% I _o ~ 100% I _o ref. Dimming module diagram and dimming curve	
Protection	Over Voltage (V)	Protection type: Voltage limiting. Output will not exceed the upper limit voltage, recovers automatically after fault condition is removed.	
	Short Circuit	Protection type: Hiccup mode. Recovers automatically after short is removed.	
	Over Temperature	Protection type: Decrease output current. When T _c reaches +100 °C +/- 10 ° (+212 °F +/- 10 °), the output current decrease to approximate 50% of rated value. (See OTP plot.)	

① All drivers are user replaceable in the LED fixtures except for the driver used in the CJLL3 fixture which is not user replaceable.

② All parameters NOT specially mentioned are measured at 480 Vac input, rated load and +25 °C (+77 °F) of ambient temperature.

③ Measured at full load and steady-state temperature in +25 °C (+77 °F) ambient (Efficiency will be about 2% lower if measured immediately after startup).

APMS050C135HD LED Drivers

BH Voltage driver for use on the following Appleton™ LED Luminaires: 3500, 4400 and 5500 Lumen Mercmaster™ LED Low Profile and Industrial Mercmaster LED Low Profile; 3500 and 5500 Lumen Mercmaster LED Generation 3 and Industrial Mercmaster LED Generation 3; 3700 and 5400 Lumen Code•Master™ LED, 5150 Lumen Code•Master Jr. LED and Hazardous Rigmaster™ LED, Industrial Rigmaster LED, Explosionproof Rigmaster LED, and NEC/CEC Viamaster™ LED. ①

Specifications ②

Environment	Tc	-40 ~ +90 °C (-40 ~ +194 °F) max.
	Operating Humidity	20 ~ 95% RH non-condensing
	Storage Temp., Humidity	-40 ~ +85 °C (-40 ~ +185 °F), 10-95% RH
	Vibration	10-500 Hz, 5G 12 min/cycle, period for 72 min. each along X, Y, Z axes
Safety & EMC	Safety Standard	UL1310 Class 2, UL8750, CSA 250.13
	Withstand Voltage	I / P-O / P:3.75K Vac I / P-FG:2KV O / P-FG:1.5KV
	Isolation Resistance	I / P-O / P:100M Ohms (500 Vdc / +25 °C [+77 °F] / 70%RH)
	EMC Emission	Conducted Emission: FCC PART 15 Class A, Radiated Emission: FCC PART 15 Class A
Others	EMC Immunity	EN61000-4-2,3,4,5,6,8,11; EN61000-4-5: Line to Neutral: ±6 kV ; Line to GND: ±6 kV; Neutral to GND: ±6 kV. IEEE/ANSI C62.41.2 Transient Surge Requirements, combi wave 2 ohm source impedance.
	MTBF	300,000 hours, measured at full load, +25 °C (+77 °F) ambient temperature MIL-HDBK-217F (+25 °C [+77 °F])
	Lifetime	Refer to plot.
	Dimension	102 x 80 x 43 mm (LxWxH); (4.02 x 3.15 x 1.69 inches)
	Weight (Typ.)	710 g (1.57 lb)

① All drivers are user replaceable in the LED fixtures except for the driver used in the CJLL3 fixture which is not user replaceable.

① All parameters NOT specially mentioned are measured at 480 Vac input, rated load and +25 °C (+77 °F) of ambient temperature.

② Measured at full load and steady-state temperature in +25 °C (+77 °F) ambient (Efficiency will be about 2% lower if measured immediately after startup).