

APMZ150C135UD LED Drivers

Replacement BU Voltage driver for use on the following Appleton™ LED Luminaires: 13,500, and 17,500 Lumen Mercmaster™ Generation 3 Zone 1 LED; 14,000 and 18,500 Lumen Areamaster™ Generation 2 Zone 1 LED; 28,500 and 36,000 Lumen Areamaster Generation 2 Zone 1 HL LED; 14,000 and 18,500 Lumen Baymaster™ Zone 1 LED; 28,500 and 36,000 Lumen Baymaster Zone 1 HL LED

Features

- Input voltage: 120–277 Vac
- Built-in active PFC function: 0.98Typ.
- Built-in lightning protection
- High efficiency: 90% Typ.
- Waterproof (IP67)
- Constant Current / 0–10V Dimming
- Protection: OVP, SCP, OTP

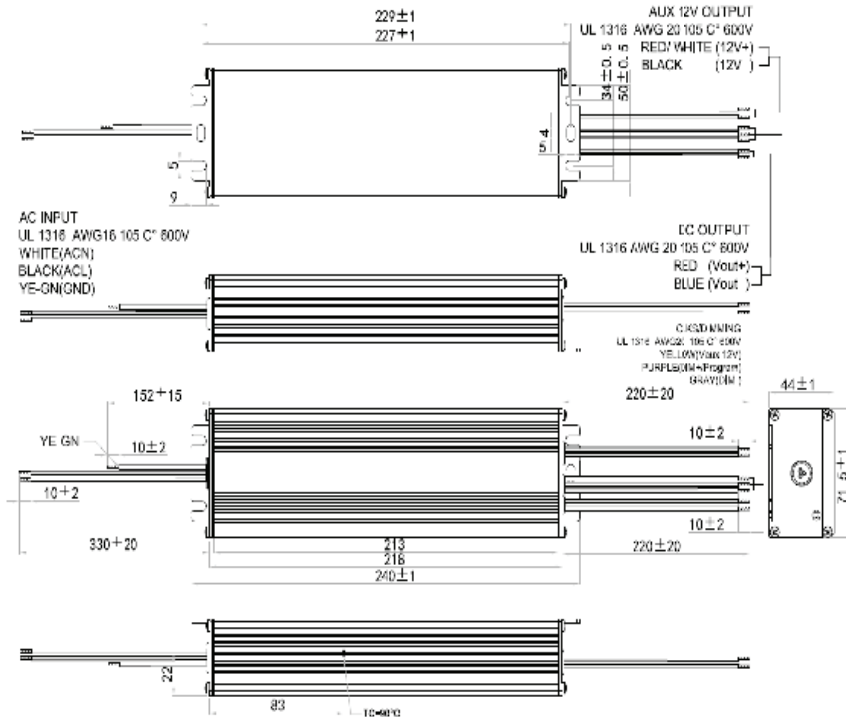


NEC/CEC/IEC Compliances

- UL8750; UL1012; CAN/CSA-C22.2 No.107-01
- IEC/EN61347-1; IEC/EN61347-2-13; IEC60079-0; IEC60079-18

Output Current	Input Voltage	Max. Output Power	Typical Efficiency	Typical Power Factor	Used in BU Luminaire Models	Part Number
680 mA	120-277 Vac 170-300 Vdc	150 W	90%	0.95	AMLZL7, BLZL7, AMHZL2, BHZL2	APMZ150C135UD68
720 mA	120-277 Vac 170-300 Vdc	150 W	90%	0.95	MGZxH3xxxxBU	APMZ150C135UD72
900 mA	120-277 Vac 170-300 Vdc	150 W	90%	0.95	MGZxH6xxxxBU	APMZ150C135UD90
915 mA	120-277 Vac 170-300 Vdc	150 W	90%	0.95	AMHZL3, BHZL3	APMZ150C135UD91
930 mA	120-277 Vac 170-300 Vdc	150 W	90%	0.95	AMLZL8, BLZL8	APMZ150C135UD93

Dimensions in Millimeters (Inches)

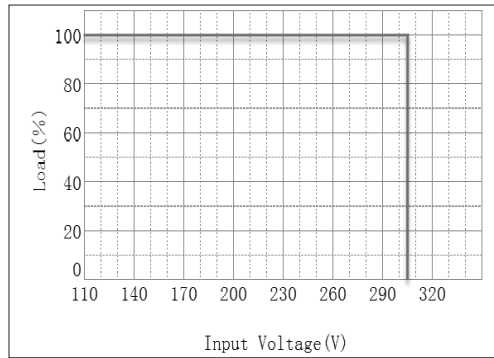


APMZ150C135UD LED Drivers

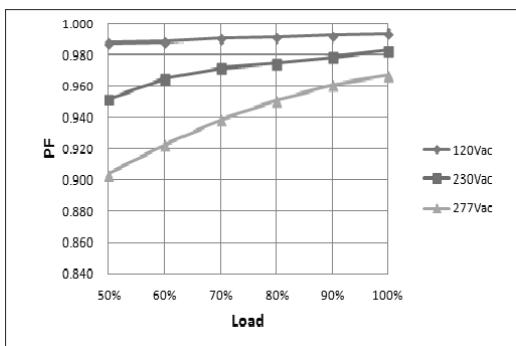
Replacement BU Voltage driver for use on the following Appleton™ LED Luminaires: 13,500, and 17,500 Lumen Mercmaster™ Generation 3 Zone 1 LED; 14,000 and 18,500 Lumen Areamaster™ Generation 2 Zone 1 LED; 28,500 and 36,000 Lumen Areamaster Generation 2 Zone 1 HL LED; 14,000 and 18,500 Lumen Baymaster™ Zone 1 LED; 28,500 and 36,000 Lumen Baymaster Zone 1 HL LED

Diagrams

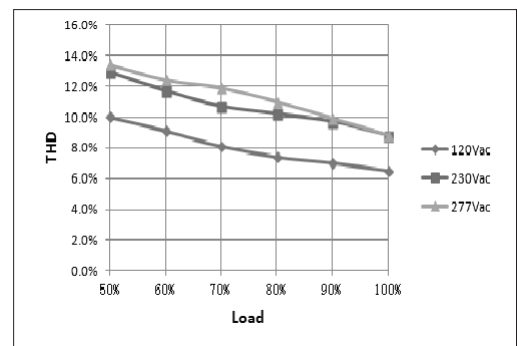
Derating Curve



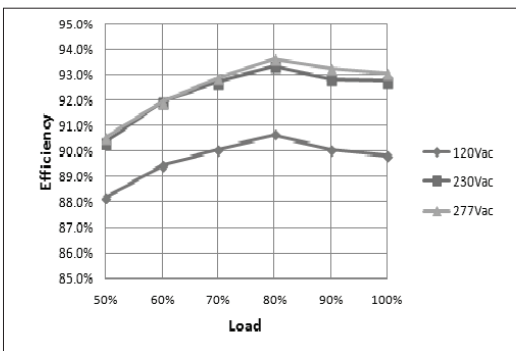
Power Factor vs. Load Curve



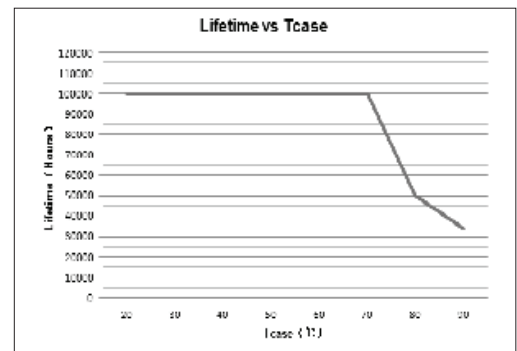
THD Curve



Efficiency vs. Load Curve



Lifetime vs. Driver Tcase



APMZ150C135UD LED Drivers

Replacement BU Voltage driver for use on the following Appleton™ LED Luminaires: 13,500, and 17,500 Lumen Mercmaster™ Generation 3 Zone 1 LED; 14,000 and 18,500 Lumen Areamaster™ Generation 2 Zone 1 LED; 28,500 and 36,000 Lumen Areamaster Generation 2 Zone 1 HL LED; 14,000 and 18,500 Lumen Baymaster™ Zone 1 LED; 28,500 and 36,000 Lumen Baymaster Zone 1 HL LED

Specifications (at +25 °C ambient unless specified otherwise) ①

Input	Efficiency (120 Vac) ②	89% (Typical)
	Efficiency (230 Vac) ②	92% (Typical)
	Voltage Range (V)	108–305 Vac
	Voltage Rated (V)	120–277 Vac, or 170–300 Vdc (min.–max.)
	Frequency Range (Hz)	47 ~ 63
	Power Factor	>0.9 @120–277 Vac, 80–100% load
	THD	<15% with 80% ~ 100% load, at 100–277 Vac <20% with 50% ~ 100% load, at 100–277 Vac
	AC Current (Max.)	1.6A at 120 Vac input, 0.8 A at 230 Vac
	Inrush Current (Max.)	65 A at 230 Vac input +25 °C Cold Start (time wide=500 uS, measured at 50% Ipeak)
	Leakage Current (Max.)	0.75 mA at 277 Vac/60 Hz
Output	Output Voltage Range (V)	165–55
	Output Current Range (mA)	90–1350
	Rated Power (W)	150 (max.)
	Ripple Current	<10% [(PK-AV)/AV] full load
	Current Tolerance	5%
	Line Regulation	1%
	Load Regulation	3%
	Turn On Delay Time	0.5s (typ.)
Dimming Control	12 Vdc Output Voltage (Vdc)	10.8 V min. ~ 12 V typ. ~ 13.2 V max.
	12 Vdc Output Current (mA)	0 mA ~ 20 mA max.
	0 ~ 10V/DIMI+ Voltage	Absolute maximum voltage - 10 V min. ~ 20 V max.
	0 ~ 10V/DIMI+ Short Current	280 uA ~ 450 uA (DIM(+)=0)
	Dimming Function	0 ~ 10 V/10% I _o ~ 100% I _o ref.

① All parameters NOT specially mentioned are measured at 230 Vac input, rated load and 25 °C of ambient temperature.

② Measured at full load and steady-state temperature in 25 °C ambient (Efficiency will be about 2% lower if measured immediately after startup)

APMZ150C135UD LED Drivers

Replacement BU Voltage driver for use on the following Appleton™ LED Luminaires: 13,500, and 17,500 Lumen Mercmaster™ Generation 3 Zone 1 LED; 14,000 and 18,500 Lumen Areamaster™ Generation 2 Zone 1 LED; 28,500 and 36,000 Lumen Areamaster Generation 2 Zone 1 HL LED; 14,000 and 18,500 Lumen Baymaster™ Zone 1 LED; 28,500 and 36,000 Lumen Baymaster Zone 1 HL LED

Specifications (at +25 °C ambient unless specified otherwise) ①		
Protection	Over Voltage (V)	<250 Protection type: Voltage limiting output will not exceed the upper limit voltage, recovers automatically after fault condition is removed.
	Short Circuit	Protection type: Hiccup mode. Recovers automatically after short is removed.
	Over Temperature	Protection type: Decrease output current. When Tc reaches +100 °C +/- +10 °C, the output current decrease to approximate 50% of rated value. (See OTP plot.)
	Lightning Surge Protection	Per IEEE C62.41.2202 (6 kV, 1.2/50 ms, 8/20 ms combination wave with 2 ohms source impedance, L-N, L-PE, N-PE)
Environment	Maximum Case Temperature	+90 °C
	Minimum Case Temperature	-40 °C
	Operating Humidity	20 ~ 95% RH non-condensing
	Storage Temp., Humidity	-40 °C ~ +85 °C 10-95% RH
	Vibration	10–500 Hz, 5G 12 min/cycle, period for 72 min. each along X, Y, Z axes
Safety & EMC	Agency Approbations	UL8750; UL1012; CAN/CSA-C22.2 No.107-01; IEC/EN61347-1; IEC/EN61347-2-13; IEC60079-0; IEC60079-18
	Withstand Voltage	I/P-O/P:3.75 K Vac I/P-FG:1.875 KV O/P-FG:1.5 KV
	Isolation Resistance	I/P-O/P:100 M Ohms (500 Vdc/25°C/70%RH)
	EMC Emission	FCC PART15 Class B, EN55015, EN61000-3-2 Class C, EN61000-3-3
	EMC Immunity	EN61000-4-2,3,4,5,6,8,11, EN61000-4-5: Line to Neutral: ±6 kV ; Line to GND: ±6 kV ; Neutral to GND: ±6 kV. IEEE / ANSI C62.41.2 Transient Surge Requirements, combi wave 2 ohm source impedance.
Others	MTBF	300,000 hours, measured at full load, +25 °C ambient temperature, MIL-HDBK-217F (+25 °C)
	Lifetime	Refer to plot
	Dimension	240 x 71.5 x 44 (mm) (LxWxH); (9.45 x 2.81 x 1.73 inches)
	Weight (Typ.)	1.2 kg (2.65 lbs)

① All parameters NOT specially mentioned are measured at 230 Vac input, rated load and 25 °C of ambient temperature.