

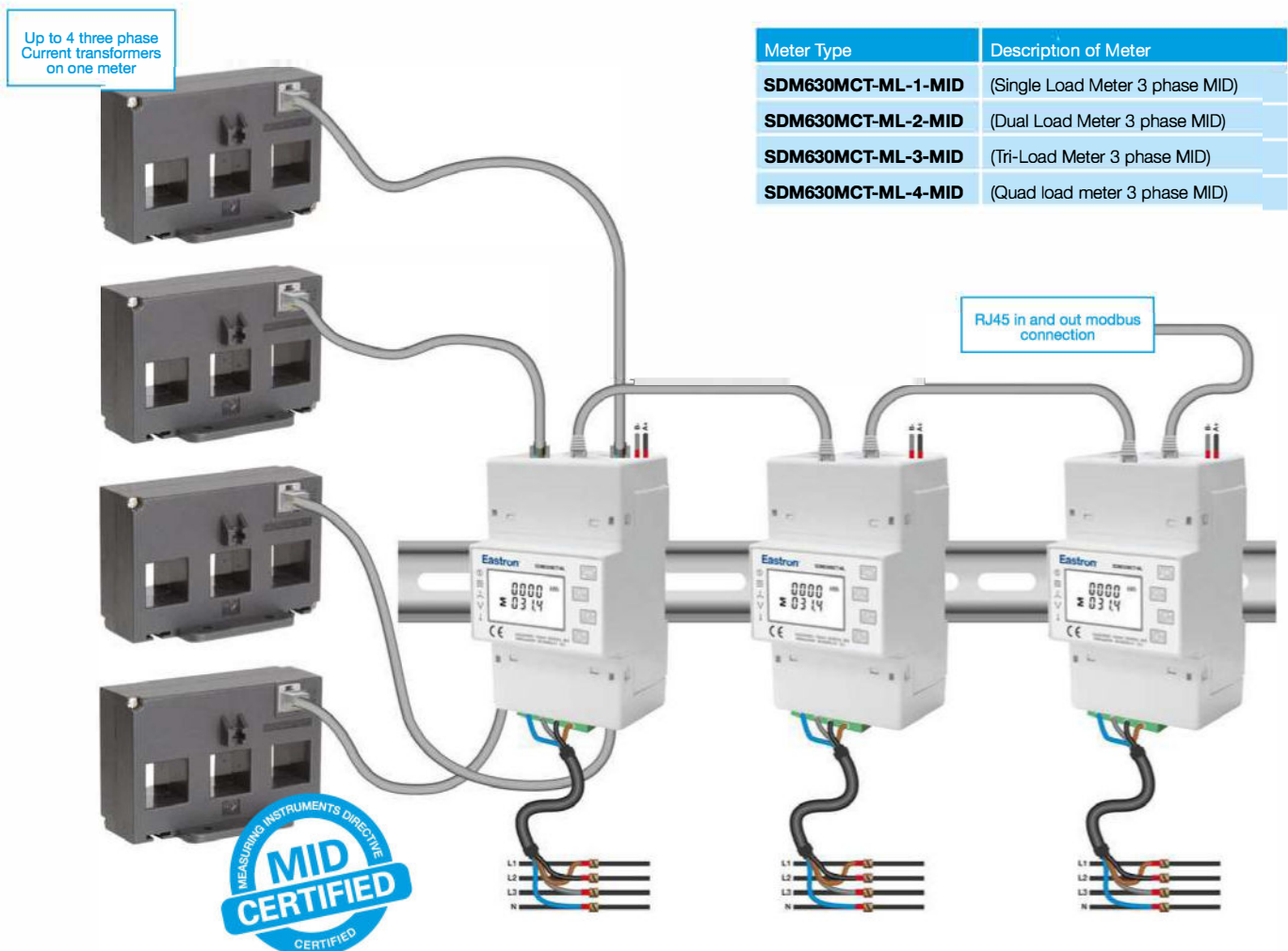
# SDM630MCT-ML

Din Rail Mounted Multi-function / Multi-circuit

- CE, UKCA and MID Certified in the UK (SGS 0534)
- Overall System Accuracy Class B (1%)
- Phase sequence indication
- Built in RS485 RTU Modbus output
- Total Harmonic Distortion up to 31st Level
- Single Load option 3 phase 4 wire or 3 x 1 phase circuits (SDM630MCT-ML-1)
- Dual load option 2 x 3 phase 4 wire or 6 x 1 phase circuits (SDM630MCT-ML-2)
- Tri load option 3 x 3 phase 4 wire or 9 x 1 phase circuits (SDM630MCT-ML-3)
- Quad load option 4 x 3 phase 4 wire or 12 x 1 phase circuits (SDM630MCT-ML-4)
- Up to 124 x 3 phase 4 wire channels or 372 x 1 phase channels on one Modbus network (32 SDM630MCT)

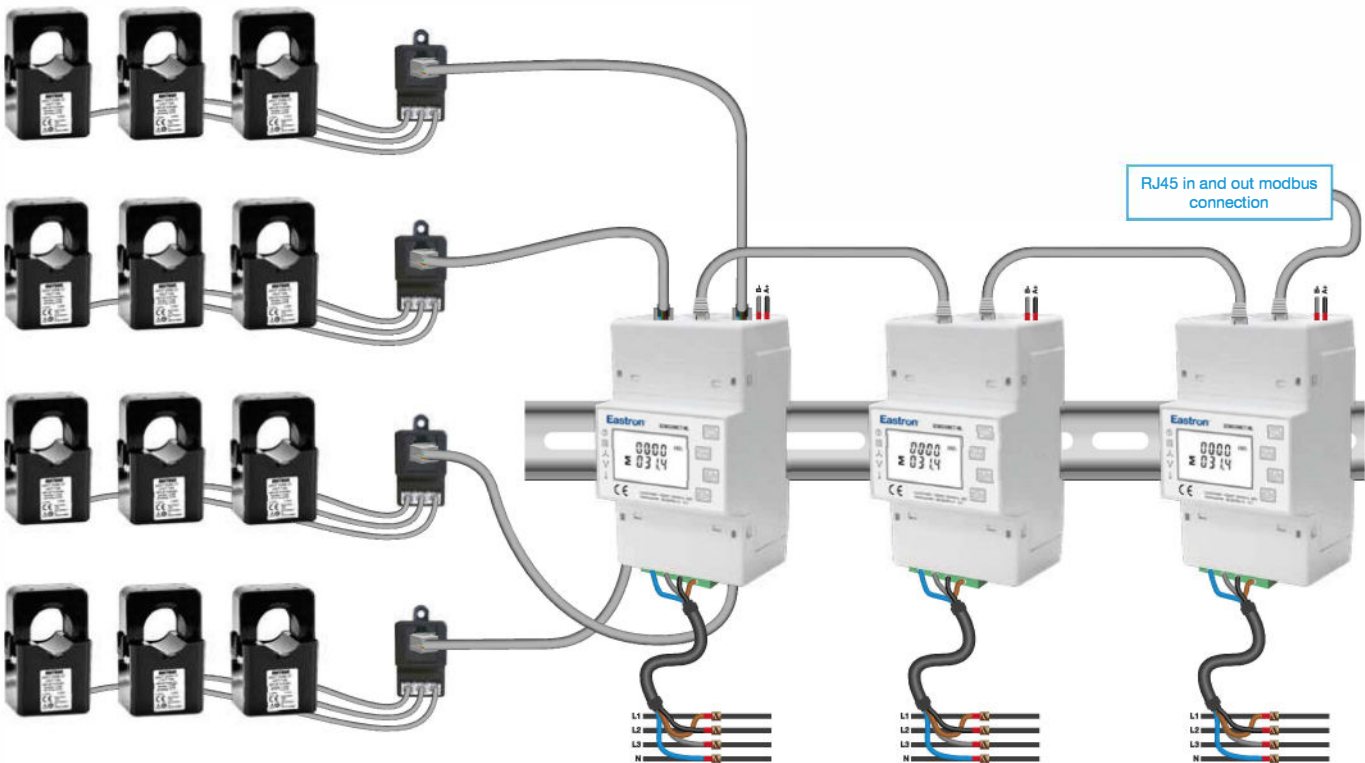


## Example of 3 phase installation

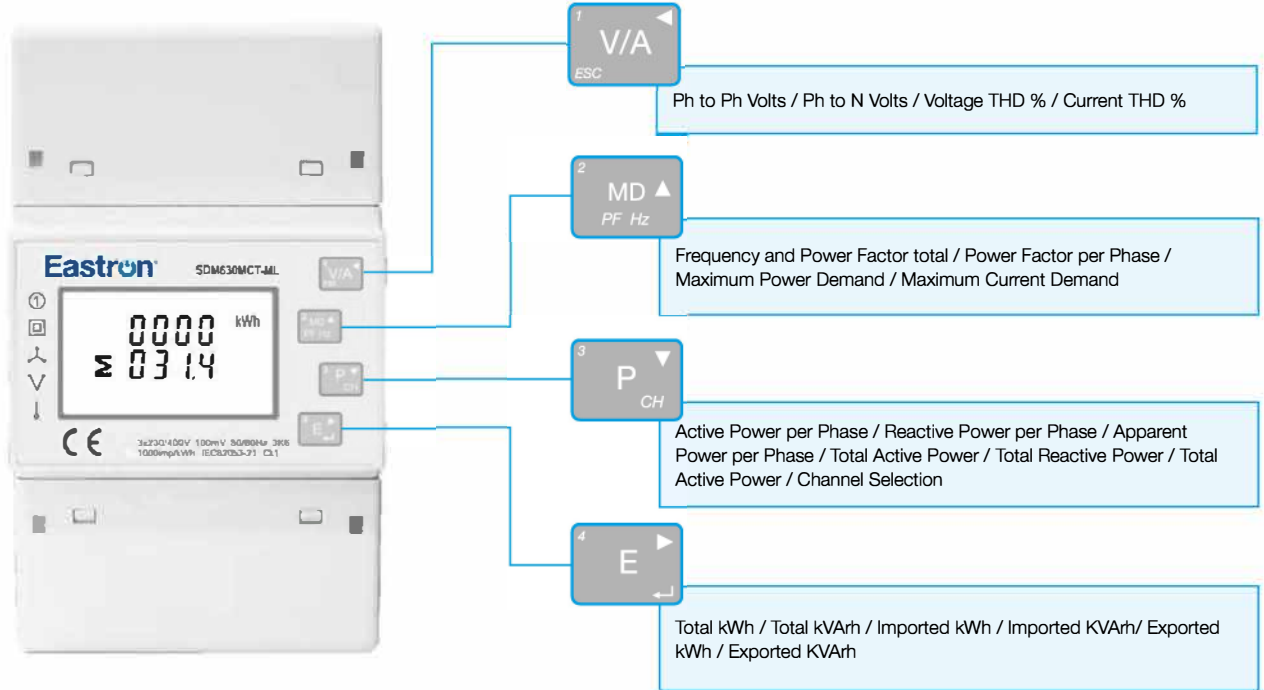


### Example of 1 phase installation

Up to 12 one phase current transforms  
on one meter (SDM630MCT-4L)



## Features



## Conformity references:

**Electromagnetic Compatibility:** IEC/EN61326-1, IEC/EN55011 Class A, IEC/EN61000-4-2,-3-4-5-6-8-11 IEC/EN50470-1/3

**Accuracy:** IEC/EN50470-1/3, IEC/EN62053-21, IEC/EN62053-23, DIRECTIVE 2014/32/EU

**Safety:** IEC/EN61010, IEC/EN50470-1

## Dimension drawing

